



Pressure

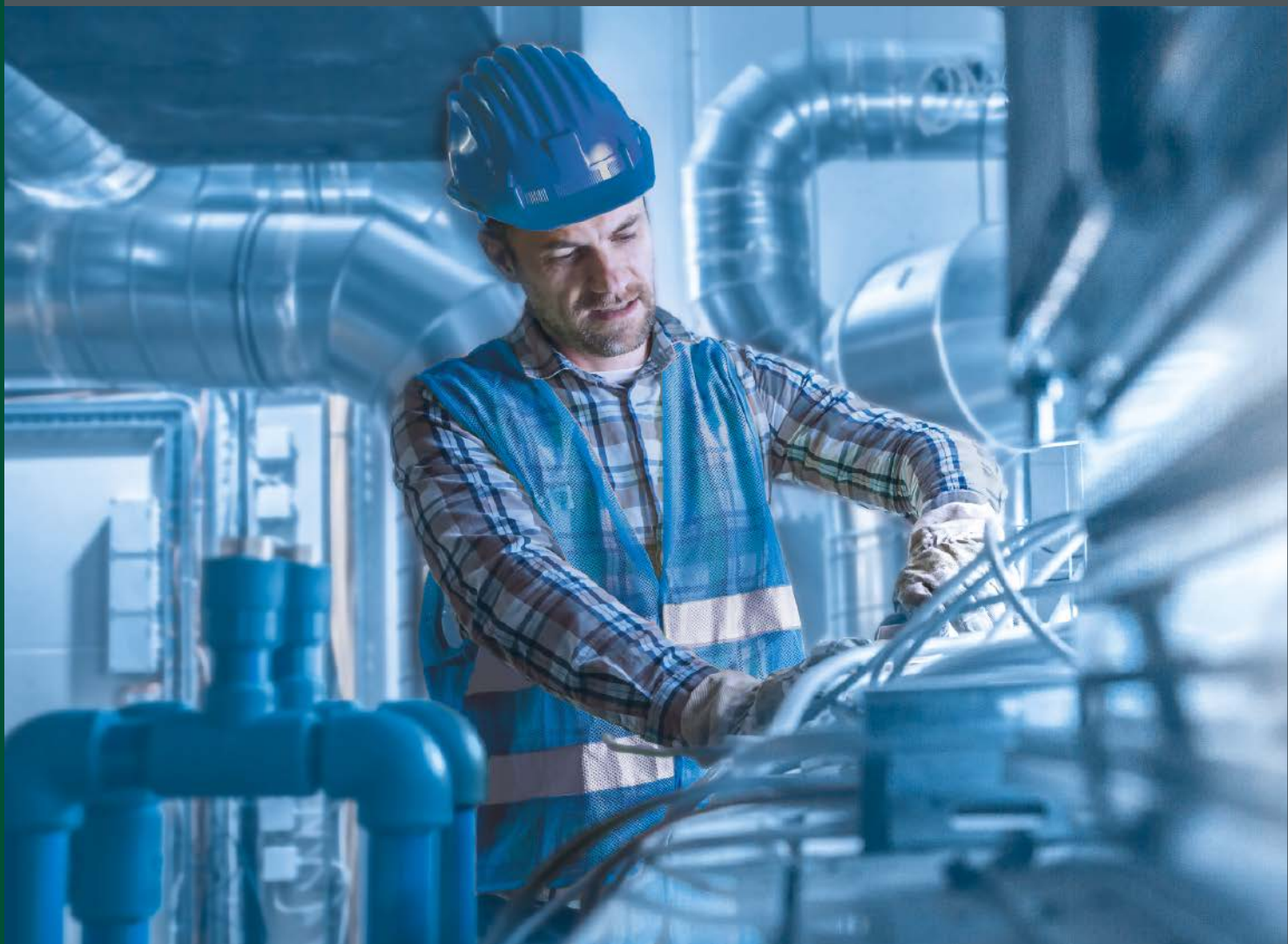
PREMASGARD® & PREMASREG®

Atmospheric quality

Whether absolute or relative, whether positive pressure, differential pressure or negative pressure – we can handle pressure and provide the right solutions with our pressure sensors and pressure controllers. The high precision of the piezo-resistive sensors guarantees reliable performance from 25 Pascal to 300 bar.

Application Areas

- Process and mechanical engineering
- Medical and cleanroom engineering
- Large catering facilities
- Heating, ventilation and air conditioning
- Pump control and pressure lines
- Filter monitoring and air pressure deficiency protection
- Rotational speed and limit value control





PREMASGARD® & PREMASREG® PRESSURE SENSORS, PRESSURE CONTROLLERS

for gaseous media [mbar / Pa]

PREMASGARD® 111x	Pressure measuring transducer	491
PREMASGARD® 112x	Pressure measuring transducer	491
PREMASGARD® 112x-SD	Pressure measuring transducer	490
PREMASGARD® 211x	Pressure measuring transducer	485
PREMASGARD® 212x	Pressure measuring transducer	485
PREMASGARD® 212x-SD	Pressure measuring transducer	484
PREMASGARD® 711x	Pressure measuring transducer	497
PREMASGARD® 711x-VA	Pressure measuring transducer (Stainless steel housing Tyr2E)	503
PREMASGARD® 722x	Pressure measuring transducer, dual pressure sensor (2 channels)	NEW 509
PREMASREG® 711x	Pressure measuring transducer, pressure controller/pressure switch	515
PREMASREG® 711x-VA	Pressure measuring transducer, pressure controller/pressure switch (Stainless steel housing Tyr2E)	521
ALD	Measuring transducer [mbar] atmospheric pressure	535
DS 1 / DS 2	Differential pressure switch	539

for volume flow [mbar / Pa]

PREMASREG® 716x	Volume flow measuring transducer, pressure controller/pressure switch	527
PREMASREG® 716x-VA	Volume flow measuring transducer, pressure controller/pressure switch (Stainless steel housing Tyr2E)	533

for liquid media [bar]

SHD	Pressure measuring transducer	541
SHD-SD	Pressure measuring transducer	541
SHD 692	Pressure measuring transducer	543

Special accessories

see chapter Accessories	655
-------------------------	------------





Pressure

PREMASGARD® & PREMASREG®

Precise sensor technology for the correct pressure

Broad Spectrum

Our pressure measuring transducers are designed to be multifunctional. This reduces the diversity of types while expanding their possible applications. Take advantage of our experience, our development, manufacturing and product know-how and order these products direct from the manufacturer S+S Regeltechnik. Thanks to microprocessor technology, almost any measuring range can be represented, including custom specifications. Multi-range switching, reaction times, units, automatic mode, and manual calibration are selectable via DIP switches.

Optimum Precision

The pressure sensors are developed and manufactured according to the latest criteria. They are fitted with the newest generation sensors that are linearised, temperature-compensated, and offer long-term and zeropoint stability. The devices are produced at our factory and are calibrated and 100% tested at our test benches and pressure chambers. Each sensor is precisely re-adjustable using offset potentiometers. Take advantage of our experience, our development, manufacturing, and product know-how, and order these products directly from the manufacturer.

Approved Safety



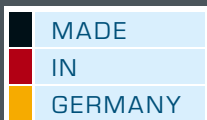
RoHS conforming materials



ESD compliant manufacturing



CE compliance tested by external laboratories



Certified Quality



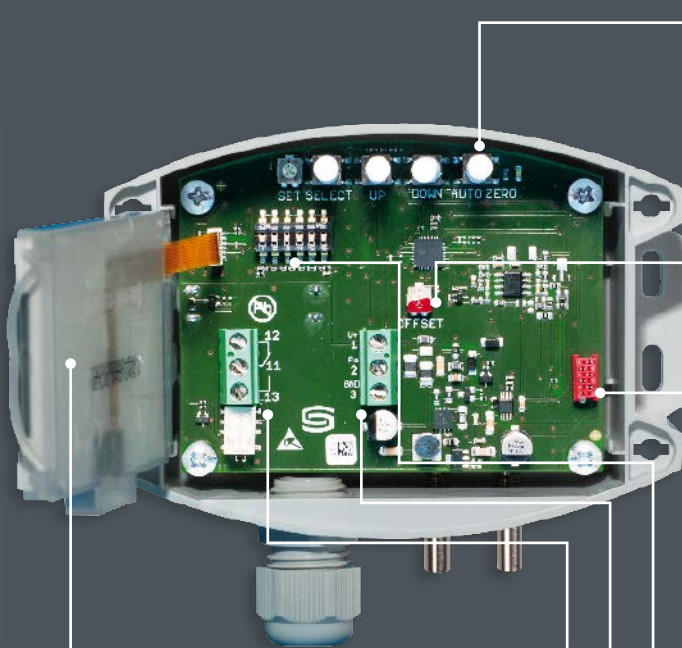
Our development and production in Nuremberg/Germany is certified by TÜV Thüringen according to DIN EN ISO 9001:2015.



GOST certified



EAC certified



1 Extra-Large Display (70 x 40 mm)

With backlighting as well as display of range violation, sensor breakage, sensor short circuit and physical units



2 Auto-Zero

For zero point correction



3 Offset Potentiometer

For fine adjustment (zero point offset) and readjustment upon recalibration



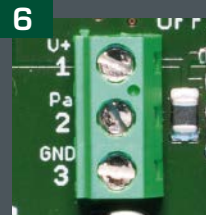
4 Quality Assurance

Calibration and balancing are done by means of the bus system at their pressure test bench



5 DIP Switches

For multi-range toggling as well as setting of 4 or 8 different measuring ranges, response times, damping times, units and configuration levels



6 Screw Terminals

Active output signals 0-10V, 4...20 mA or switched output



7 Relais

With optional automatic zero point calibration and valve for zero point correction



Pressure, differential pressure and volume flow measuring transducers, including connection set, compact form, adjustable, calibratable, with multi-range switching and active output

The calibrateable compact pressure sensors of the **PREMASGARD® 211x / 212x / 212x-SD** series are equipped with 8 switchable measuring ranges, 2 switchable output signals (16 devices in one) and with or without optional display and are used for measuring above-atmospheric, below-atmospheric, or differential pressures and Volume flow in air. The piezo-resistive measuring element is temperature-compensated and guarantees a high degree of reliability and accuracy. These pressure transmitters have a pushbutton for manual zero point calibration and an adjustable offset. Applications of these pressure sensors are in clean room, medical and filter technology, in ventilation and air conditioning ducts, in spray booths, in large-scale catering facilities, for monitoring filters, for level measurement or for triggering frequency converters. Media measured with these pressure transducers are air (non-precipitating), or other gaseous non-aggressive, non-combustible media. The differential pressure sensor is supplied including connection set **ASD-06** (2 m connection hose, two pressure connection nipples, screws). You can find further device types under **PREMASGARD® 111x / 112x / 112x-SD** (I variant with 2-wire connection).

TECHNICAL DATA

Power supply:	24 V AC/DC (± 10 %)
Working resistance:	R _a (Ohm) = 25 ... 450 Ohm for I variant
Load resistance:	R _L > 25 kOhm for U variant
Power consumption:	< 1 W at 24 V DC; < 2 VA at 24 V AC
Current consumption:	< 45 mA
Measuring function:	Differential pressure, volume flow (square root output signal)
Measuring ranges:	multi-range switching with 8 switchable measuring ranges (see table)
Output:	switchable 0-10V / 4...20 mA (via DIP switches)
Electrical connection:	3-wire connection
Media temperature:	-20...+50 °C (temperature-compensated 0...+50 °C)
Pressure connection:	with connection nozzles for pressure hose Ø 6 mm
Type of pressure:	differential pressure
Medium:	clean air and other non-aggressive, non-combustible gases
Accuracy:	Type 2110 / 2120 / 2120-SD (100 Pa): typically ± 3 Pa at +25 °C Type 2111 / 2121 / 2121-SD (1000 Pa): typically ± 10 Pa at +25 °C Type 2115 / 2125 / 2125-SD (5000 Pa): typically ± 35 Pa at +25 °C compared to the calibrated reference device
Zero point offset:	± 10 % of final value
Above- / below-atmospheric pressure:	± 50 kPa
Long-term stability:	± 1 % per year
Signal filtering:	switchable 1 s / 10 s (via DIP switches)
Hysteresis:	0.3 % of final value
Media contacting parts:	Brass, Ni, Duroplast, Si, epoxy, RTV, BSG, UV silicone gel
Temperature drift values:	± 0.1 % of final value / °C
Linearity:	< ± 1 % of final value
Housing:	plastic, UV-resistant, material polyamide, 30 % glass-globe reinforced, colour traffic white (similar to RAL 9016), housing cover for display is transparent! Type 211x / 212x: with quick-locking screws (slotted/Phillips head combination) Type 212x-SD: with snap-on lid
Housing dimensions:	72 x 64 x 37.8 mm (Tyr 1 / Tyr 01 without display) 72 x 64 x 43.3 mm (Tyr 1 / Tyr 01 with display)
Cable connection:	cable gland , plastic (M 16 x 1.5; with strain relief, exchangeable, max. inner diameter 10.4 mm) or M12 connector according to DIN EN 61076-2-101 (optional on request)
Electrical connection:	0.14 - 1.5 mm ² , via terminal screws
Humidity:	< 95 % RH, non-precipitating air
Protection class:	III (according to EN 60 730)
Protection type:	Type 211x / 212x: IP 67 (according to EN 60 529)* Housing tested, TÜV SÜD, Report No. 713139052 (Tyr 1) Type 212x-SD: IP 54 (according to EN 60 529)* Housing tested, TÜV SÜD, Report No. 713160960A (Tyr 01) * Housing in the built-in state
Standards:	CE conformity, electromagnetic compatibility according to EN 61 326, EMC directive 2014 / 30 / EU
Features:	two-line display with illumination , cutout approx. 36 x 15 mm (W x H), to display ACTUAL pressure
ACCESSORIES	see table

PREMASGARD® 211x
Pressure connectors **on the top side**, with quick-locking screws (IP 67)



PREMASGARD® 212x
Pressure connectors **on the bottom side**, with quick-locking screws (IP 67)



PREMASGARD® 212x-SD
Pressure connectors **on the bottom side**, with snap-on lid (IP 54)





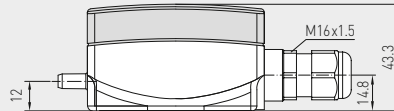
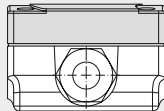
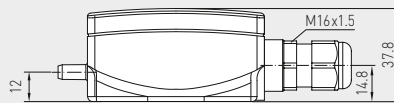
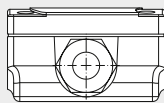
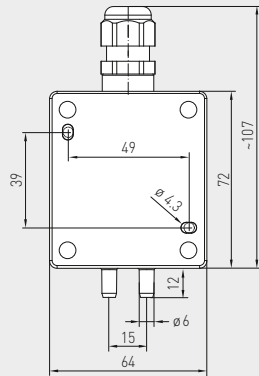
S+S REGELTECHNIK

Pressure, differential pressure and volume flow measuring transducers, including connection set, compact form, adjustable, calibratable, with multi-range switching and active output



Dimensional drawing

PREMASGARD® 211x



with display

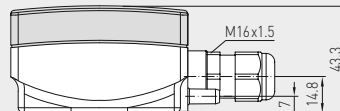
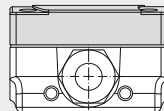
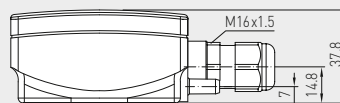
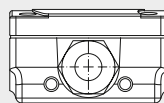
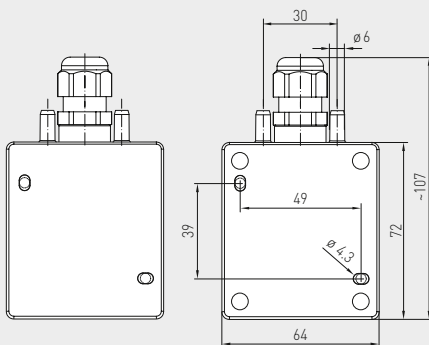
without display

PREMASGARD® 211x
Pressure connectors
on the top side,
with display,
with quick-locking screws
(IP67)



Dimensional drawing

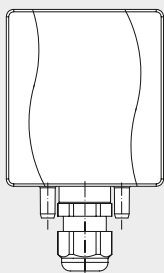
PREMASGARD® 212x
PREMASGARD® 212x-SD



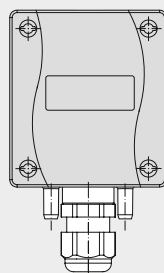
with display

without display

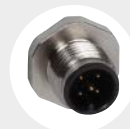
PREMASGARD® 212x
Pressure connectors
on the bottom side,
with display,
with quick-locking screws
(IP67)



with snap-on lid



with quick-locking
screws

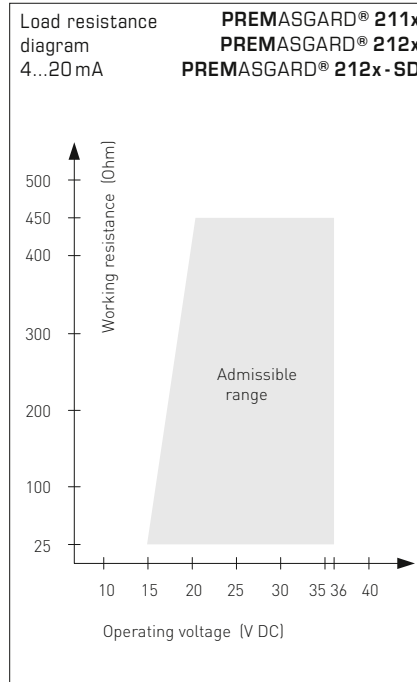
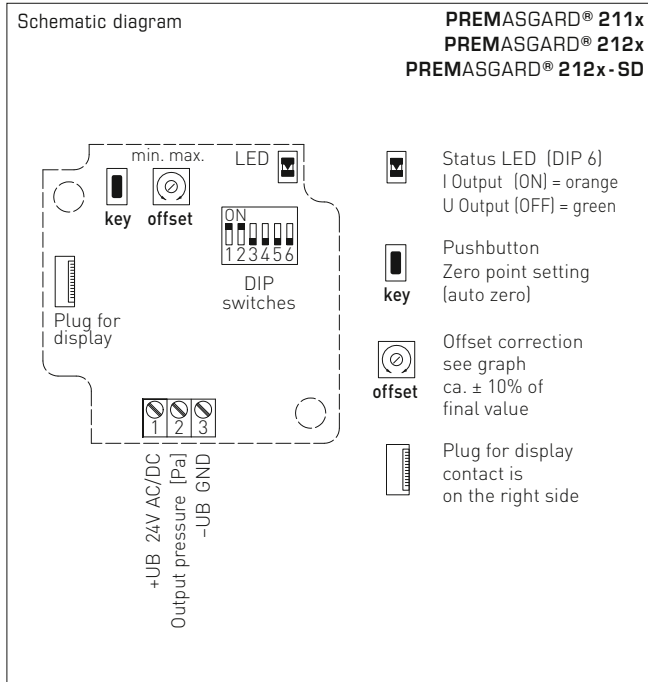


M12 connector
(optional on request)

PREMASGARD® 212x-SD
Pressure connectors
on the bottom side,
with display,
with snap-on lid
(IP54)



Pressure, differential pressure and volume flow measuring transducers, including connection set, compact form, adjustable, calibratable, with multi-range switching and active output



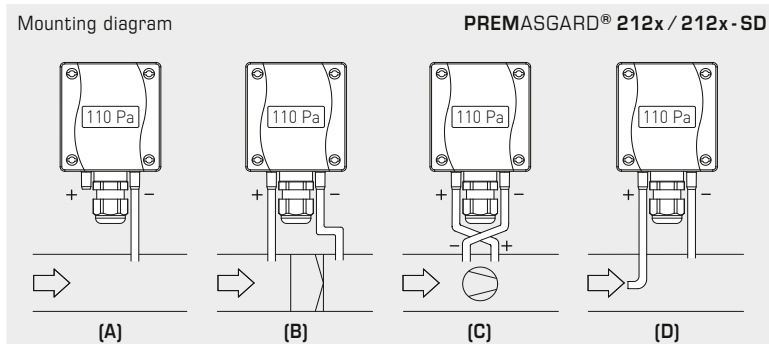
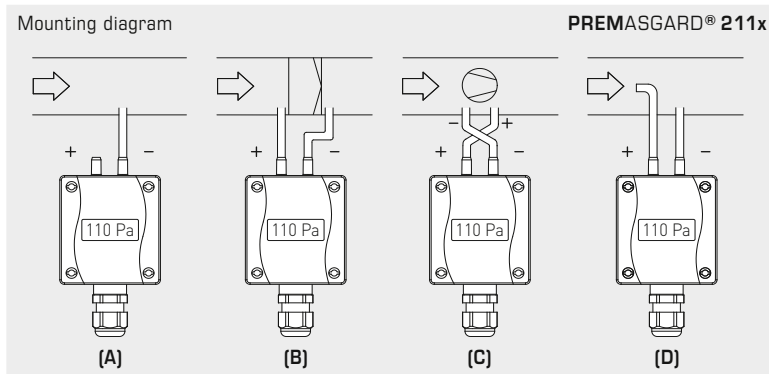
Pressure range (selectable) – max. measuring range (default) is depending to the type of device						DIP 1	DIP 2
0...50 Pa	0...100 Pa	0...1000 Pa	-50...+50 Pa	-100...+100 Pa	-1000...+1000 Pa	OFF	OFF
-	0...300 Pa	0...2000 Pa	-	-300...+300 Pa	-2000...+2000 Pa	ON	OFF
-	0...500 Pa	0...3000 Pa	-	-500...+500 Pa	-3000...+3000 Pa	OFF	ON
0...100 Pa	0...1000 Pa	0...5000 Pa	-100...+100 Pa	-1000...+1000 Pa	-5000...+5000 Pa	ON	ON

Output characteristic line (Mode selectable)	DIP 4
Linear (default) (for pressure detection)	OFF
Square root extracting (to determine the volume flow)	ON

Measuring range mode (Mode selectable)	DIP 3
Unidirectional (0...+MR) (default)	OFF
Bidirectional (-MR...+MR)	ON

Measurement signal filtering (Time interval selectable)	DIP 5
10 s (default)	OFF
1 s	ON

Output (selectable)	DIP 6
Voltage 0-10 V (default)	OFF
Current 4...20 mA	ON



TYPES OF MONITORING:

Pressure connections at the pressure switch are marked with P1 (+) for higher pressure and P2 (-) for lower pressure.

(A) Below-atmospheric pressure

P1 (+) is not connected, but open to the atmosphere
P2 (-) connected to inside of duct

(B) Filter

P1 (+) connected upstream of filter
P2 (-) connected downstream of filter

(C) Ventilator

P1 (+) connected downstream of ventilator
P2 (-) connected upstream of ventilator

(D) Volume flow

P1 (+) dynamic pressure, connected in flow direction
P2 (-) static pressure, connected free of dynamic pressure components

$$V = k \cdot \sqrt{\Delta p}$$

V = Volume flow

k = K factor

Δp = Differential pressure [Pa]



Pressure, differential pressure and volume flow measuring transducers, including connection set, compact form, adjustable, calibratable, with multi-range switching and active output

PREMASGARD® 211x
Pressure connectors
on the top side,
with display



PREMASGARD® 212x
Pressure connectors
on the bottom side,
with display



WS-04
Weather and sun protection hood
(optional)



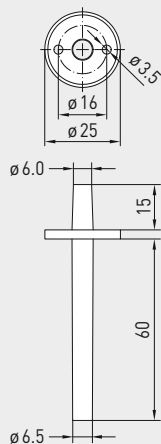
Conversion table for pressure values:

Unit =	bar	mbar	Pa	kPa	mWS
1 Pa	0.00001 bar	0.01 mbar	1 Pa	0.001 kPa	0.000101971 mWS
1 kPa	0.01 bar	10 mbar	1000 Pa	1 kPa	0.101971 mWS
1 bar	1 bar	1000 mbar	100000 Pa	100 kPa	10.1971 mWS
1 mbar	0.001 bar	1 mbar	100 Pa	0.1 kPa	0.0101971 mWS
1 mWS	0.0980665 bar	98.0665 mbar	9806.65 Pa	9.80665 kPa	1 mWS



Pressure, differential pressure and volume flow measuring transducers, including connection set, compact form, adjustable, calibratable, with multi-range switching and active output

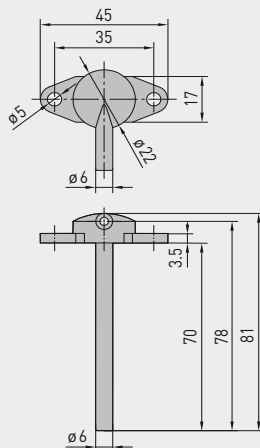
Dimensional drawing ASD-06



ASD-06 Connection set



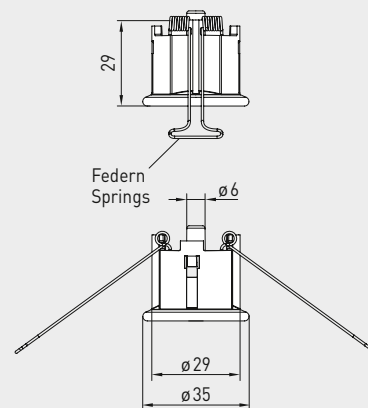
Dimensional drawing ASD-07



ASD-07 Connection nipple



Dimensional drawing DAL-01



DAL-01 Pressure outlet



ACCESSORIES		Item No.	Price
ASD-06	Connection set (included in the scope of delivery) , consisting of 2 connection nipples (straight) made of ABS, 2 m PVC hose (soft, UV-resistant) and 4 screws	7100-0060-3000-000	7,64 €
ASD-07	2 connection nipples (at 90 degree angle) made of plastic, ABS	7100-0060-7000-000	7,64 €
DAL-01	Pressure outlet for ceiling or in-wall installation (e.g. in clean rooms)	7300-0060-3000-001	35,77 €
WS-04	Weather and sun protection hood , 130 x 180 x 135 mm, stainless steel V2A (1.4301)	7100-0040-7000-000	37,49 €

For further information, see last chapter Accessories!

PREMASGARD® 212x-SD Pressure, differential pressure and volume flow measuring transducers, *Standard* (Pressure connectors on the bottom side)

Pressure range (Ranges adjustable)	Type / WGD1B (3-wire connection)	Output (switchable)	Display	Item No. (with snap-on lid)	Price
max. - 1000...+ 1000 Pa	PREMASGARD® 2121-SD			IP 54	
0... 100 Pa / - 100...+ 100 Pa	PREMASGARD 2121-SD	0-10V / 4...20mA		1301-11B7-0010-000	136,49 €
0... 300 Pa / - 300...+ 300 Pa	PREMASGARD 2121-SD LCD	0-10V / 4...20mA	■	1301-11B7-2010-000	185,07 €
0... 500 Pa / - 500...+ 500 Pa					
0... 1000 Pa / -1000...+ 1000 Pa					
max. - 5000...+ 5000 Pa	PREMASGARD® 2125-SD			IP 54	
0...1000 Pa / -1000...+1000 Pa	PREMASGARD 2125-SD	0-10V / 4...20mA		1301-11B7-0050-000	136,49 €
0...2000 Pa / -2000...+2000 Pa	PREMASGARD 2125-SD LCD	0-10V / 4...20mA	■	1301-11B7-2050-000	185,07 €
0...3000 Pa / -3000...+3000 Pa					
0...5000 Pa / -5000...+5000 Pa					
max. - 100...+ 100 Pa	PREMASGARD® 2120-SD			IP 54	
0... 50 Pa / - 50...+ 50 Pa	PREMASGARD 2120-SD	0-10V / 4...20mA		1301-11B7-0110-000	136,49 €
0... 100 Pa / -100...+ 100 Pa	PREMASGARD 2120-SD LCD	0-10V / 4...20mA	■	1301-11B7-2110-000	185,07 €
Multi-range switching:	The pressure ranges depend on the device type and can be set via DIP switches.				
Output:	0-10V or 4...20mA (selectable via DIP switches)				
Optional:	Cable connection with M12 connector according to DIN EN 61076-2-101 (on request)				



S+S REGELTECHNIK

Pressure, differential pressure and volume flow measuring transducers, including connection set, compact form, adjustable, calibratable, with multi-range switching and active output

PREMASGARD® 211x

Pressure connectors on the top side, with/without display, with quick-locking screws (IP 67)

PREMASGARD® 212x

Pressure connectors on the bottom side, with/without display, with quick-locking screws (IP 67)

PREMASGARD® 212x-SD

Pressure connectors on the bottom side, with/without display, with snap-on lid (IP 54)



PREMASGARD® 211x		Pressure, differential pressure and volume flow measuring transducers, <i>Premium</i> (Pressure connectors on the top side)			
Pressure range (Ranges adjustable)	Type /WG01 (3-wire connection)	Output (switchable)	Display	Item No. (with quick-locking screws)	Price
max. - 1000...+ 1000 Pa	PREMASGARD® 2111			IP 67	
0... 100 Pa / - 100...+ 100 Pa	PREMASGARD 2111	0-10V / 4...20mA		1301-1197-0010-000	152,11 €
0... 300 Pa / - 300...+ 300 Pa	PREMASGARD 2111 LCD	0-10V / 4...20mA	■	1301-1197-2010-000	202,74 €
0... 500 Pa / - 500...+ 500 Pa					
0... 1000 Pa / - 1000...+ 1000 Pa					
max. - 5000...+ 5000 Pa	PREMASGARD® 2115			IP 67	
0...1000 Pa / - 1000...+ 1000 Pa	PREMASGARD 2115	0-10V / 4...20mA		1301-1197-0050-000	152,11 €
0...2000 Pa / - 2000...+ 2000 Pa	PREMASGARD 2115 LCD	0-10V / 4...20mA	■	1301-1197-2050-000	202,74 €
0...3000 Pa / - 3000...+ 3000 Pa					
0...5000 Pa / - 5000...+ 5000 Pa					
max. - 100...+ 100 Pa	PREMASGARD® 2110			IP 67	
0... 50 Pa / - 50...+ 50 Pa	PREMASGARD 2110	0-10V / 4...20mA		1301-1197-0110-000	152,11 €
0... 100 Pa / - 100...+ 100 Pa	PREMASGARD 2110 LCD	0-10V / 4...20mA	■	1301-1197-2110-000	202,74 €
Multi-range switching:	The pressure ranges depend on the device type and can be set via DIP switches.				
Output:	0-10V or 4...20mA (selectable via DIP switches)				
Optional:	Cable connection with M12 connector according to DIN EN 61076-2-101 (on request)				

PREMASGARD® 212x		Pressure, differential pressure and volume flow measuring transducers, <i>Premium</i> (Pressure connectors on the bottom side)			
Pressure range (Ranges adjustable)	Type /WG01 (3-wire connection)	Output (switchable)	Display	Item No. (with quick-locking screws)	Price
max. - 1000...+ 1000 Pa	PREMASGARD® 2121			IP 67	
0... 100 Pa / - 100...+ 100 Pa	PREMASGARD 2121	0-10V / 4...20mA		1301-11A7-0010-000	152,11 €
0... 300 Pa / - 300...+ 300 Pa	PREMASGARD 2121 LCD	0-10V / 4...20mA	■	1301-11A7-2010-000	202,74 €
0... 500 Pa / - 500...+ 500 Pa					
0... 1000 Pa / - 1000...+ 1000 Pa					
max. - 5000...+ 5000 Pa	PREMASGARD® 2125			IP 67	
0...1000 Pa / - 1000...+ 1000 Pa	PREMASGARD 2125	0-10V / 4...20mA		1301-11A7-0050-000	152,11 €
0...2000 Pa / - 2000...+ 2000 Pa	PREMASGARD 2125 LCD	0-10V / 4...20mA	■	1301-11A7-2050-000	202,74 €
0...3000 Pa / - 3000...+ 3000 Pa					
0...5000 Pa / - 5000...+ 5000 Pa					
max. - 100...+ 100 Pa	PREMASGARD® 2120			IP 67	
0... 50 Pa / - 50...+ 50 Pa	PREMASGARD 2120	0-10V / 4...20mA		1301-11A7-0110-000	152,11 €
0... 100 Pa / - 100...+ 100 Pa	PREMASGARD 2120 LCD	0-10V / 4...20mA	■	1301-11A7-2110-000	202,74 €
Multi-range switching:	The pressure ranges depend on the device type and can be set via DIP switches.				
Output:	0-10V or 4...20mA (selectable via DIP switches)				
Optional:	Cable connection with M12 connector according to DIN EN 61076-2-101 (on request)				

I variant
with 2-wire
connection



S+S REGELTECHNIK

Pressure, differential pressure and volume flow measuring transducers,
including connection set, compact form, adjustable, calibratable,
with multi-range switching and active output

The calibrateable compact pressure sensors of the **PREMASGARD® 111x / 112x / 112x-SD** series are equipped with eight switchable measuring ranges and with or without optional display (eight devices in one) and are used for measuring above-atmospheric, below-atmospheric, or differential pressures and Volume flow in air. The piezo-resistive measuring element is temperature-compensated and guarantees a high degree of reliability and accuracy. These pressure transmitters have a pushbutton for manual zero point calibration and an adjustable offset. Applications of these pressure sensors are in clean room, medical and filter technology, in ventilation and air conditioning ducts, in spray booths, in large-scale catering facilities, for monitoring filters, for level measurement or for triggering frequency converters. Media measured with these pressure transducers are air (non-precipitating), or other gaseous non-aggressive, non-combustible media. The differential pressure sensor is supplied including connection set **ASD-06** (2m connection hose, two pressure connection nipples, screws). You can find further device types under **PREMASGARD® 211x / 212x / 212x-SD** (3-conductor connection) with switchable output (0-10V / 4...20 mA).

PREMASGARD® 111x

Pressure connectors
on the top side
with quick-locking screws
(IP 67)



PREMASGARD® 112x

Pressure connectors
on the bottom side
with quick-locking screws
(IP 67)



PREMASGARD® 112x-SD

Pressure connectors
on the bottom side
with snap-on lid
(IP 54)



TECHNICAL DATA

Power supply:	24 V AC (±20 %); 15...36 V DC for U variant 15...36 V DC for I variant, depending on working resistance, residual ripple stabilised ± 0.3 V
Working resistance:	$R_a \text{ (ohm)} = (U_b - 14 \text{ V}) / 0.02 \text{ A}$ for I variant
Load resistance:	$R_L > 5 \text{ kOhm}$ for U variant
Power consumption:	< 1 W at 24 V DC; < 2 VA at 24 V AC
Measuring function:	Differential pressure, volume flow (square root output signal)
Measuring ranges:	multi-range switching with 8 switchable measuring ranges (see table)
Output:	0 -10V or 4...20 mA
Electrical connection:	2- or 3-wire connection
Media temperature:	-20...+50 °C
Pressure connection:	with connection nozzles for pressure hose Ø 6 mm
Type of pressure:	differential pressure
Medium:	clean air and other non-aggressive, non-combustible gases
Accuracy:	Type 1111 / 1121 / 1121-SD (1000 Pa): typically ± 10 Pa Type 1115 / 1125 / 1125-SD (5000 Pa): typically ± 50 Pa Type 1116 / 1126 (10000 Pa): typically ± 50 Pa compared to the calibrated reference device
Zero point offset:	± 10 % of final value
Above- / below-atmospheric pressure:	max. 5 x measuring range
Long-term stability:	± 1 % per year
Signal filtering:	switchable 1 s / 10 s
Hysteresis:	0.3 % of final value
Media contacting parts:	ms, Ni, Nylon, PU, Si, PVC with plasticisers
Temperature drift values:	± 0.1 % of final value / °C
Current consumption:	< 20 mA
Linearity:	< ± 1 % of final value
Housing:	plastic, UV-resistant, material polyamide, 30 % glass-globe reinforced, colour traffic white (similar to RAL 9016), housing cover for display is transparent! Type 111x / 112x: with quick-locking screws (slotted/Phillips head combination) Type 112x-SD: with snap-on lid
Housing dimensions:	72 x 64 x 37.8 mm (Tyr 1 / Tyr 01 without display) 72 x 64 x 43.3 mm (Tyr 1 / Tyr 01 with display)
Cable connection:	cable gland , plastic (M 16 x 1.5; with strain relief, exchangeable, inner diameter 10.4 mm) or M12 connector according to DIN EN 61076-2-101 (optional on request)
Electrical connection:	0.14 - 1.5 mm ² , via terminal screws
Humidity:	< 95 % RH, non-precipitating air
Protection class:	III (according to EN 60 730)
Protection type:	Type 111x / 112x: IP 67 (according to EN 60 529)* Housing tested, TÜV SÜD, Report No. 713139052 (Tyr 1) Type 112x-SD: IP 54 (according to EN 60 529)* Housing tested, TÜV SÜD, Report No. 713160960A (Tyr 01) * Housing in the built-in state
Standards:	CE conformity, electromagnetic compatibility according to EN 61 326, EMC directive 2014 / 30 / EU
Features:	two-line display with illumination , cutout approx. 36 x 15 mm (W x H), to display ACTUAL pressure
ACCESSORIES	see table



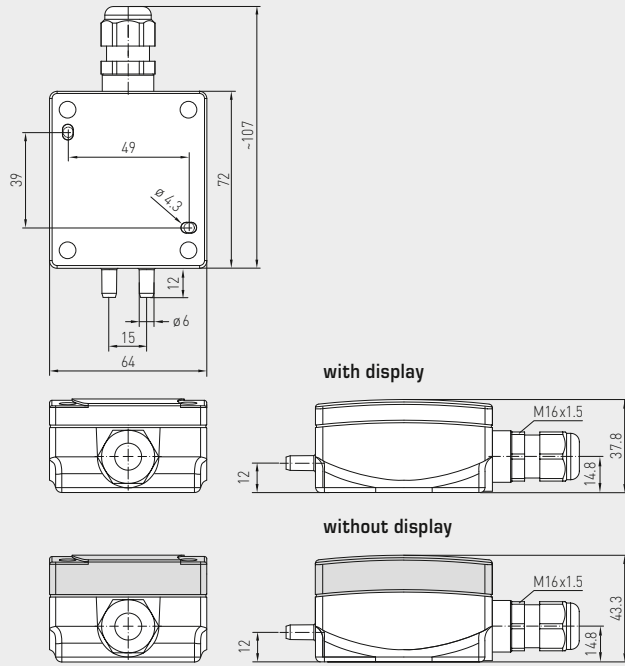
S+S REGELTECHNIK

1 variant with 2-wire connection

Pressure, differential pressure and volume flow measuring transducers, including connection set, compact form, adjustable, calibratable, with multi-range switching and active output

Dimensional drawing

PREMASGARD® 111x

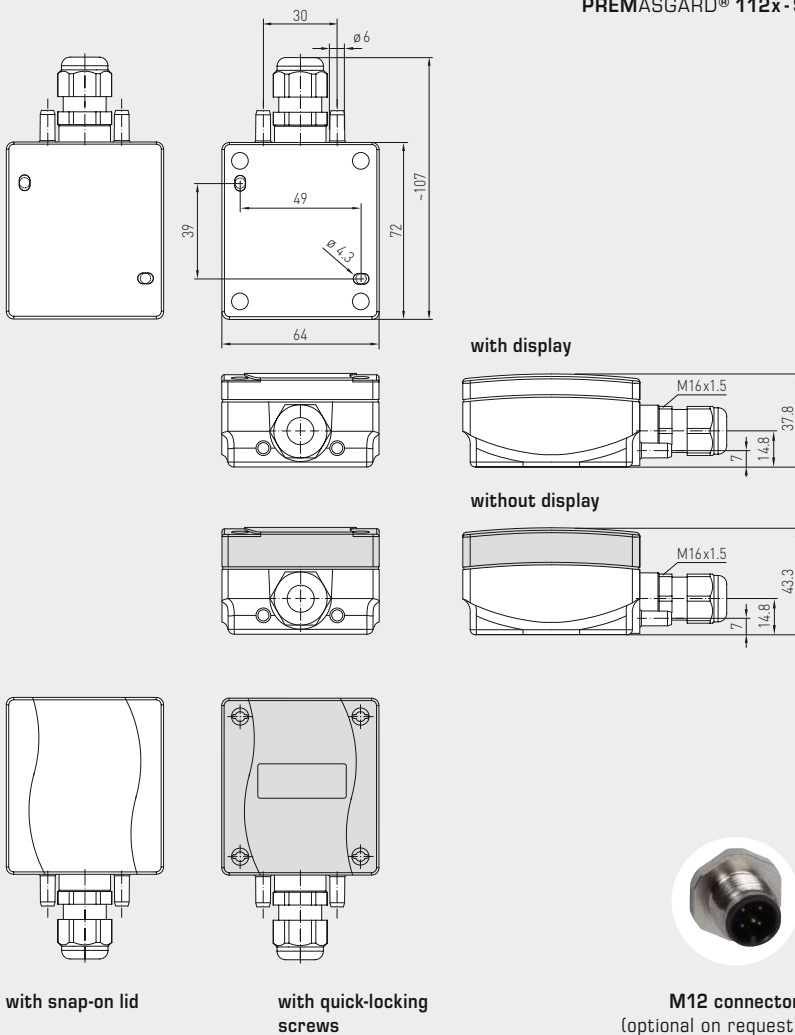


PREMASGARD® 111x
Pressure connectors on the top side, with display, with quick-locking screws (IP67)



Dimensional drawing

PREMASGARD® 112x
PREMASGARD® 112x-SD



PREMASGARD® 112x
Pressure connectors on the bottom side, with display, with quick-locking screws (IP67)



PREMASGARD® 112x-SD
Pressure connectors on the bottom side, with display, with snap-on lid (IP54)

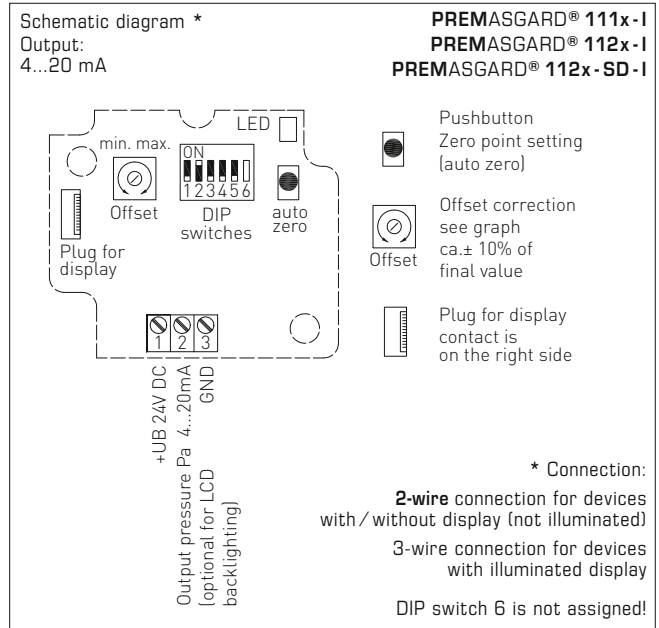
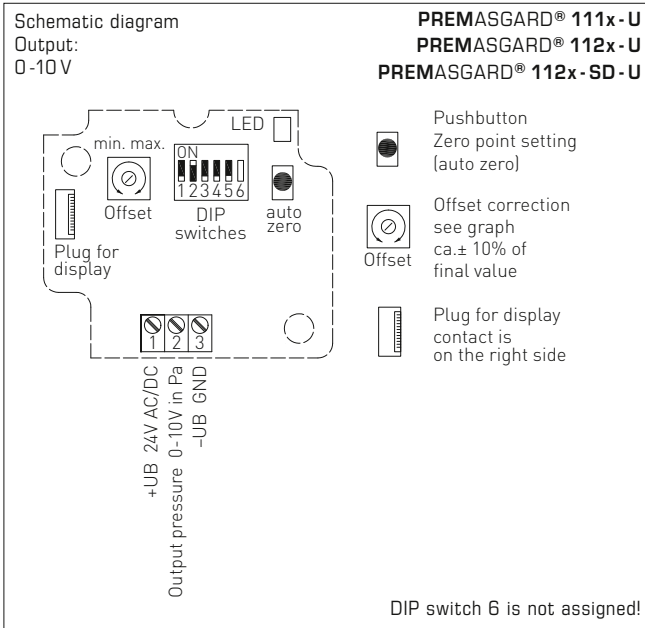


Pressure, differential pressure and volume flow measuring transducers, including connection set, compact form, adjustable, calibratable, with multi-range switching and active output

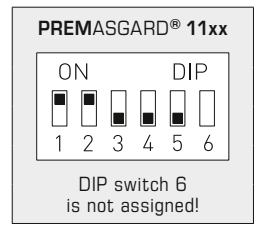
1 variant with 2-wire connection



S+S REGELTECHNIK



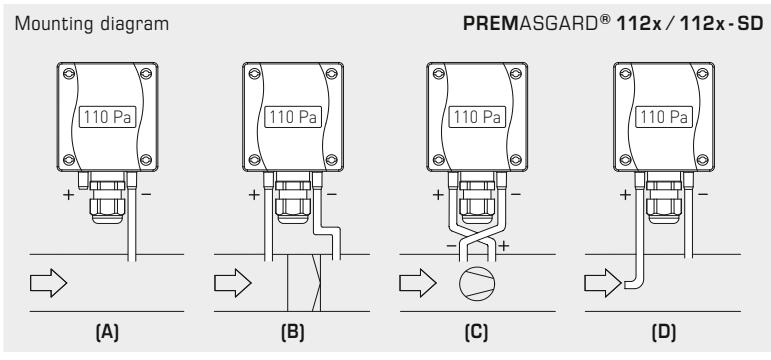
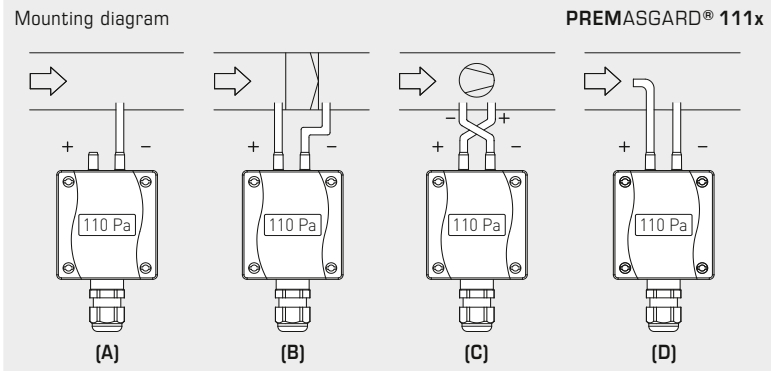
Pressure range (selectable) – max. measuring range (default) is depending to the type of device						DIP 1	DIP 2
0...100 Pa	0...1000 Pa	0...4000 Pa	-100...+100 Pa	-1000...+1000 Pa	-4000...+4000 Pa	OFF	OFF
0...300 Pa	0...2000 Pa	0...6000 Pa	-300...+300 Pa	-2000...+2000 Pa	-6000...+6000 Pa	ON	OFF
0...500 Pa	0...3000 Pa	0...8000 Pa	-500...+500 Pa	-3000...+3000 Pa	-8000...+8000 Pa	OFF	ON
0...1000 Pa	0...5000 Pa	0...10000 Pa	-1000...+1000 Pa	-5000...+5000 Pa	-10000...+10000 Pa	ON	ON



Measuring range mode (Mode selectable)	DIP 3
Unidirectional (0...+MR) (default)	OFF
Bidirectional (-MR...+MR)	ON

Output characteristic line (Mode selectable)	DIP 4
Linear (default) (for pressure detection)	OFF
Square root extracting (to determine the volume flow)	ON

Measurement signal filtering (Time interval selectable)	DIP 5
10 s (default)	OFF
1 s	ON



TYPES OF MONITORING:

- Pressure connections at the pressure switch are marked with P1 (+) for higher pressure and P2 (-) for lower pressure.
- (A) **Below-atmospheric pressure**
P1 (+) is not connected, but open to the atmosphere
P2 (-) connected to inside of duct
 - (B) **Filter**
P1 (+) connected upstream of filter
P2 (-) connected downstream of filter
 - (C) **Ventilator**
P1 (+) connected downstream of ventilator
P2 (-) connected upstream of ventilator
 - (D) **Volume flow**
P1 (+) dynamic pressure, connected in flow direction
P2 (-) static pressure, connected free of dynamic pressure components

$$V = k \cdot \sqrt{\Delta p}$$

V = Volume flow
k = K factor
 Δp = Differential pressure [Pa]

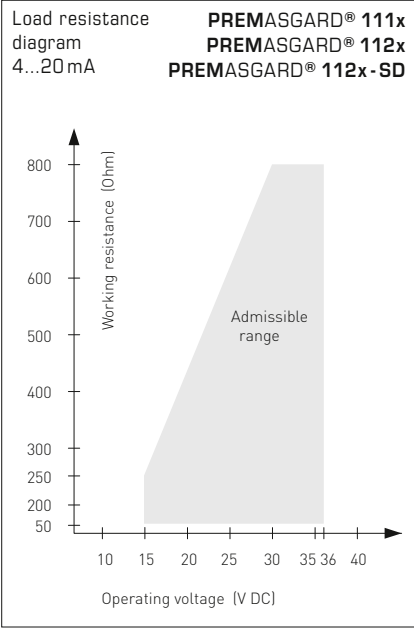


S+S REGELTECHNIK

1 variant with 2-wire connection

PREMASGARD® 111x/112x/112x-SD

Pressure, differential pressure and volume flow measuring transducers, including connection set, compact form, adjustable, calibratable, with multi-range switching and active output



PREMASGARD® 111x
Pressure connectors on the top side, with display



PREMASGARD® 112x
Pressure connectors on the bottom side, with display

WS-04
Weather and sun protection hood (optional)



Conversion table for pressure values:

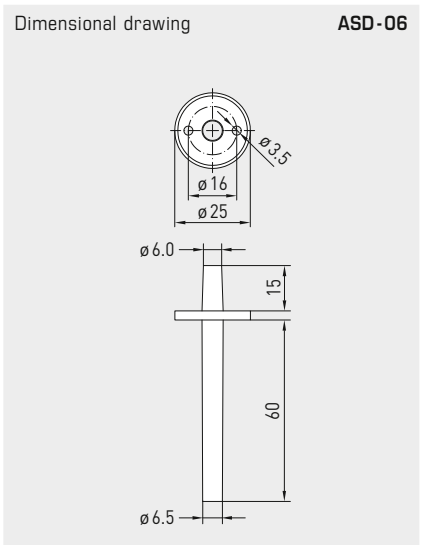
Unit =	bar	mbar	Pa	kPa	mWS
1 Pa	0.00001 bar	0.01 mbar	1 Pa	0.001 kPa	0.000101971 mWS
1 kPa	0.01 bar	10 mbar	1000 Pa	1 kPa	0.101971 mWS
1 bar	1 bar	1000 mbar	100000 Pa	100 kPa	10.1971 mWS
1 mbar	0.001 bar	1 mbar	100 Pa	0.1 kPa	0.0101971 mWS
1 mWS	0.0980665 bar	98.0665 mbar	9806.65 Pa	9.80665 kPa	1 mWS

Pressure, differential pressure and volume flow measuring transducers, including connection set, compact form, adjustable, calibratable, with multi-range switching and active output

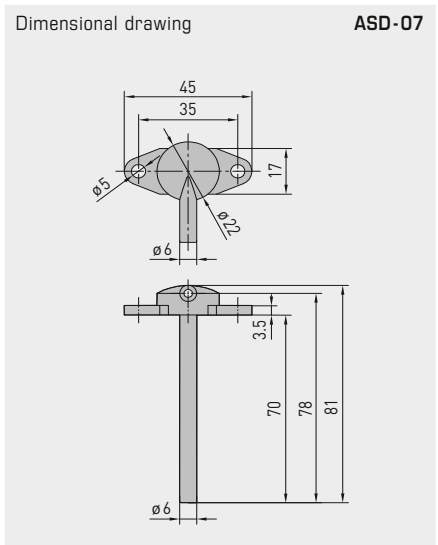
1 variant with 2-wire connection



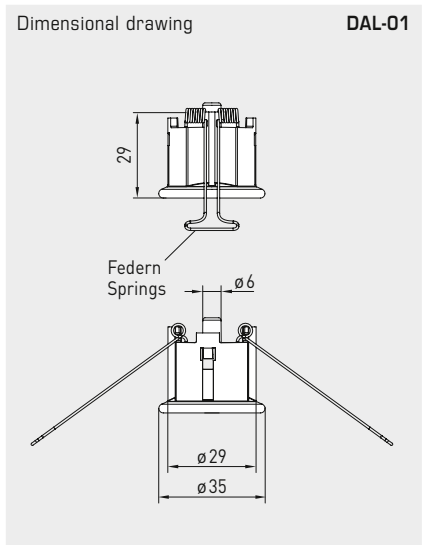
S+S REGELTECHNIK



ASD-06 Connection set



ASD-07 Connection nipple



DAL-01 Pressure outlet



ACCESSORIES		Item No.	Price
ASD-06	Connection set (included in the scope of delivery) , consisting of 2 connection nipples (straight) made of ABS, 2 m PVC hose (soft, UV-resistant) and 4 screws	7100-0060-3000-000	7,64 €
ASD-07	2 connection nipples (at 90 degree angle) made of plastic, ABS	7100-0060-7000-000	7,64 €
DAL-01	Pressure outlet for ceiling or in-wall installation (e.g. in clean rooms)	7300-0060-3000-001	35,77 €
WS-04	Weather and sun protection hood , 130 x 180 x 135 mm, stainless steel V2A (1.4301)	7100-0040-7000-000	37,49 €

For further information, see last chapter Accessories!

PREMASGARD® 112x-SD		Pressure, differential pressure and volume flow measuring transducers, <i>Standard</i> (Pressure connectors on the bottom side)				
Pressure range (Ranges adjustable)	Type / WG01	Connection 2- or 3-wire	Output	Display	Item No (with snap-on lid)	Price
max. - 1000...+ 1000 Pa	PREMASGARD® 1121-SD				IP 54	
0... 100 Pa / - 100...+ 100 Pa	PREMASGARD 1121-SD-I	2	4...20 mA		1301-1182-0010-000	149,97 €
0... 300 Pa / - 300...+ 300 Pa	PREMASGARD 1121-SD-I LCD	2/3	4...20 mA	■	1301-1182-2010-000	193,17 €
0... 500 Pa / - 500...+ 500 Pa	-	3	0-10 V		see PREMASGARD® 212x-SD	
0... 1000 Pa / - 1000...+ 1000 Pa	-					
max. - 5000...+ 5000 Pa	PREMASGARD® 1125-SD				IP 54	
0... 1000 Pa / - 1000...+ 1000 Pa	PREMASGARD 1125-SD-I	2	4...20 mA		1301-1182-0050-000	149,97 €
0... 2000 Pa / - 2000...+ 2000 Pa	PREMASGARD 1125-SD-I LCD	2/3	4...20 mA	■	1301-1182-2050-000	193,17 €
0... 3000 Pa / - 3000...+ 3000 Pa	-	3	0-10 V		see PREMASGARD® 212x-SD	
0... 5000 Pa / - 5000...+ 5000 Pa	-					
Multi-range switching:	The pressure ranges depend on the device type and can be set via DIP switches.					
Optional:	Cable connection with M12 connector according to DIN EN 61076-2-101 (on request)					



S+S REGELTECHNIK

1 variant
with 2-wire
connection

PREMASGARD® 111x/112x/112x-SD

Pressure, differential pressure and volume flow measuring transducers,
including connection set, compact form, adjustable, calibratable,
with multi-range switching and active output

PREMASGARD® 111x

Pressure connectors **on the top side**,
with/without display,
with quick-locking screws
(IP 67)



PREMASGARD® 112x

Pressure connectors **on the bottom side**,
with/without display,
with quick-locking screws
(IP 67)



PREMASGARD® 112x-SD

Pressure connectors **on the bottom side**,
with/without display,
with snap-on lid
(IP 54)



PREMASGARD® 111x		Pressure, differential pressure and volume flow measuring transducers, <i>Premium</i> (Pressure connectors on the top side)				
Pressure range (Ranges adjustable)	Type / WG01	Connection 2- or 3-wire	Output	Display	Item No (with quick-locking screws)	Price
max. - 1000...+ 1000 Pa	PREMASGARD® 1111				IP 67	
0... 100 Pa / - 100...+ 100 Pa	PREMASGARD 1111-I	2	4...20 mA		1301-1112-0010-000	152,11 €
0... 300 Pa / - 300...+ 300 Pa	PREMASGARD 1111-I LCD	2/3	4...20 mA	■	1301-1112-2010-000	202,74 €
0... 500 Pa / - 500...+ 500 Pa	-	3	0-10 V		see PREMASGARD® 211x	
0... 1000 Pa / - 1000...+ 1000 Pa	-					
max. - 5000...+ 5000 Pa	PREMASGARD® 1115				IP 67	
0...1000 Pa / - 1000...+ 1000 Pa	PREMASGARD 1115-I	2	4...20 mA		1301-1112-0050-000	152,11 €
0...2000 Pa / - 2000...+ 2000 Pa	PREMASGARD 1115-I LCD	2/3	4...20 mA	■	1301-1112-2050-000	202,74 €
0...3000 Pa / - 3000...+ 3000 Pa	-	3	0-10 V		see PREMASGARD® 211x	
0...5000 Pa / - 5000...+ 5000 Pa	-					
max. - 10000...+ 10000 Pa	PREMASGARD® 1116				IP 67	
0... 4000 Pa / - 4000...+ 4000 Pa	PREMASGARD 1116-I	2	4...20 mA		1301-1112-0060-000	176,56 €
0... 6000 Pa / - 6000...+ 6000 Pa	PREMASGARD 1116-I LCD	2/3	4...20 mA	■	1301-1112-2060-000	222,79 €
0... 8000 Pa / - 8000...+ 8000 Pa	PREMASGARD 1116-U	3	0-10 V		1301-1111-0060-000	176,56 €
0...10000 Pa / - 10000...+ 10000 Pa	PREMASGARD 1116-U LCD	3	0-10 V	■	1301-1111-2060-000	222,79 €
Multi-range switching:	The pressure ranges depend on the device type and can be set via DIP switches.					
Optional:	Cable connection with M12 connector according to DIN EN 61076-2-101 (on request)					

PREMASGARD® 112x		Pressure, differential pressure and volume flow measuring transducers, <i>Premium</i> (Pressure connectors on the bottom side)				
Pressure range (Ranges adjustable)	Type / WG01	Connection 2- or 3-wire	Output	Display	Item No (with quick-locking screws)	Price
max. - 1000...+ 1000 Pa	PREMASGARD® 1121				IP 67	
0... 100 Pa / - 100...+ 100 Pa	PREMASGARD 1121-I	2	4...20 mA		1301-1172-0010-000	152,11 €
0... 300 Pa / - 300...+ 300 Pa	PREMASGARD 1121-I LCD	2/3	4...20 mA	■	1301-1172-2010-000	202,74 €
0... 500 Pa / - 500...+ 500 Pa	-	3	0-10 V		see PREMASGARD® 212x	
0... 1000 Pa / - 1000...+ 1000 Pa	-					
max. - 5000...+ 5000 Pa	PREMASGARD® 1125				IP 67	
0...1000 Pa / - 1000...+ 1000 Pa	PREMASGARD 1125-I	2	4...20 mA		1301-1172-0050-000	152,11 €
0...2000 Pa / - 2000...+ 2000 Pa	PREMASGARD 1125-I LCD	2/3	4...20 mA	■	1301-1172-2050-000	202,74 €
0...3000 Pa / - 3000...+ 3000 Pa	-	3	0-10 V		see PREMASGARD® 212x	
0...5000 Pa / - 5000...+ 5000 Pa	-					
max. - 10000...+ 10000 Pa	PREMASGARD® 1126				IP 67	
0... 4000 Pa / - 4000...+ 4000 Pa	PREMASGARD 1126-I	2	4...20 mA		1301-1172-0060-000	176,56 €
0... 6000 Pa / - 6000...+ 6000 Pa	PREMASGARD 1126-I LCD	2/3	4...20 mA	■	1301-1172-2060-000	222,79 €
0... 8000 Pa / - 8000...+ 8000 Pa	PREMASGARD 1126-U	3	0-10 V		1301-1171-0060-000	176,56 €
0...10000 Pa / - 10000...+ 10000 Pa	PREMASGARD 1126-U LCD	3	0-10 V	■	1301-1171-2060-000	222,79 €
Multi-range switching:	The pressure ranges depend on the device type and can be set via DIP switches.					
Optional:	Cable connection with M12 connector according to DIN EN 61076-2-101 (on request)					

**Pressure and differential pressure measuring transducers,
including connection set, adjustable, calibratable,
with multi-range switching and active output**

The calibratable pressure sensors **PREMASGARD® 711x** (series) with eight switchable measuring ranges (eight devices in one), housing made from impact-resistant plastic, optionally with/without display, with cable gland or M12 connector according to DIN EN 61076-2-101 and pressure connection nozzles (quick connect optional) are used to measure positive, negative or differential pressures in air. The piezoresistive measuring element is temperature-compensated and guarantees a high degree of reliability and accuracy.

Applications of these pressure sensors are in clean room, medical and filter technology, in ventilation and air conditioning ducts, in spray booths, in large-scale catering facilities, for filter monitoring and level measurement or for triggering frequency converters. Media measured with these pressure transducers are air (non-precipitating), or other gaseous, non-aggressive, non-combustible media.

The pressure sensor has a button for manual zero point calibration (automatic zero point calibration optional/standard for 25 Pa) and an offset potentiometer for final value correction. The sensor is factory-calibrated; an environmental precision adjustment by an expert is possible. The delivery includes the connection set **ASD-06** (2 m connection hose, two pressure port nipples, screws).

PREMASGARD® 711x
with cable gland



PREMASGARD® 711x-Q
with M12 connector



Pressure port
for pressure hose
(as standard)



TECHNICAL DATA

Power supply:	24 V AC (±20 %); 15...36 V DC for U variant 15...36 V DC for I variant, depending on working resistance, residual ripple stabilised ±0.3 V
Working resistance:	$R_B \text{ (Ohm)} = (U_B - 14 \text{ V}) / 0.02 \text{ A}$ for I variant, see working resistance diagram
Load resistance:	$R_L > 5 \text{ kOhm}$ for U variant
Power consumption:	< 2 VA / 24 V DC, < 3.5 VA / 24 V AC
Measuring ranges:	multi-range switching with 8 switchable measuring ranges (see table)
Type of pressure:	differential pressure
Pressure connection:	with connection nozzle for pressure hose Ø 6 mm, optionally with quick connect made from stainless steel for PVC fabric pressure hose Ø 6 mm (external diameter)
Medium:	clean air and non-aggressive, non-combustible gases
Media temperature:	-20...+50 °C
Accuracy:	Type 7112 (25 Pa): typically ±1 Pa Type 7110 (100 Pa): typically ±2 Pa Type 7111 (1000 Pa): typically ±5 Pa Type 7115 (5000 Pa): typically ±25 Pa compared to the calibrated reference device
Sum of linearity+hysteresis:	< ±1 % of final value ±2 % of final value for pressure ranges < ±250 Pa
Temp. drift values:	±0.1 % / °C ±0.3 % / °C for pressure ranges < 250 Pa
Zero point offset:	< ±0.7 % of final value ±1.4 % of final value for pressure ranges < 250 Pa
Positive/negative pressure:	max. ±100 hPa
Signal filtering:	switchable 1 s / 10 s (via DIP switches)
Output:	0 -10 V or 4...20 mA
Connection type:	2- or 3-wire connection
Electrical connection:	0.14-1.5 mm ² , via plug-in screw terminal
Cable connection:	cable gland , plastic (M 16 x 1.5; with strain relief, exchangeable, max. inner diameter 10.4 mm) or M12 connector (male, 5-pin, A-code) according to DIN EN 61076-2-101
Housing:	plastic , UV-resistant, material polyamide, 30 % glass-globe reinforced, with quick-locking screws (slotted/Phillips head combination), colour traffic white (similar to RAL 9016), cover for display is transparent!
Housing dimensions:	126 x 90 x 50 mm (Tyr 2)
Air humidity:	<95 % RH, non-precipitating air
Protection class:	III (according to EN 60 730)
Protection type:	IP 65 (according to EN 60 529) in the built-in state
Standards:	CE conformity according to EMC Directive 2014 / 30 / EU, according to EN 61326-1, according to EN 61326-2-3
Equipment:	display with illumination , three-line, cutout approx. 70 x 40 mm (W x H), to display the ACTUAL pressure as well as the automatic zero point calibration
ACCESSORIES	see table

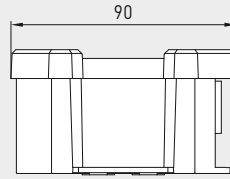
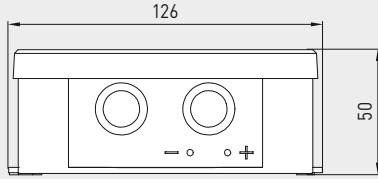


Pressure and differential pressure measuring transducers, including connection set, adjustable, calibratable, with multi-range switching and active output



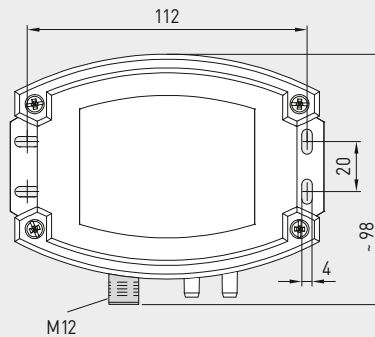
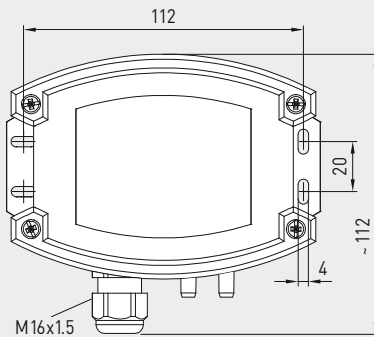
Dimensional drawing [mm]

PREMASGARD® 711x



Housing with cable gland equipped as standard with pressure port nozzles

Housing with M12 connector equipped as standard with pressure port nozzles



Pressure port for pressure hose (as standard)



M12 connector (male)

PREMASGARD® 711x with cable gland and display



PREMASGARD® 711x-Q with M12 connector and display

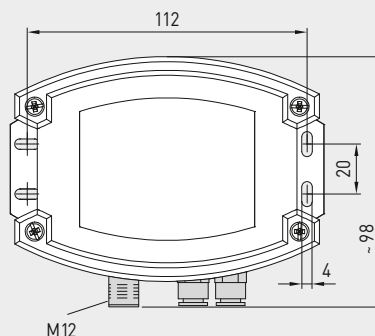
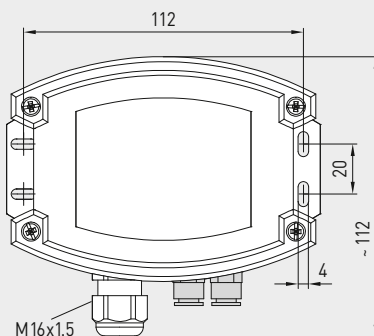


Dimensional drawing [mm]

PREMASGARD® 711x

Housing with cable gland optional on request with quick connect

Housing with M12 connector optional on request with quick connect



Pressure port for PVC/fabric pressure hose (optional)

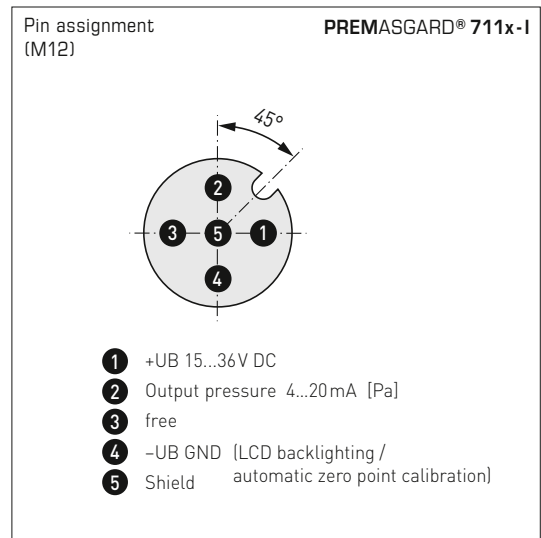
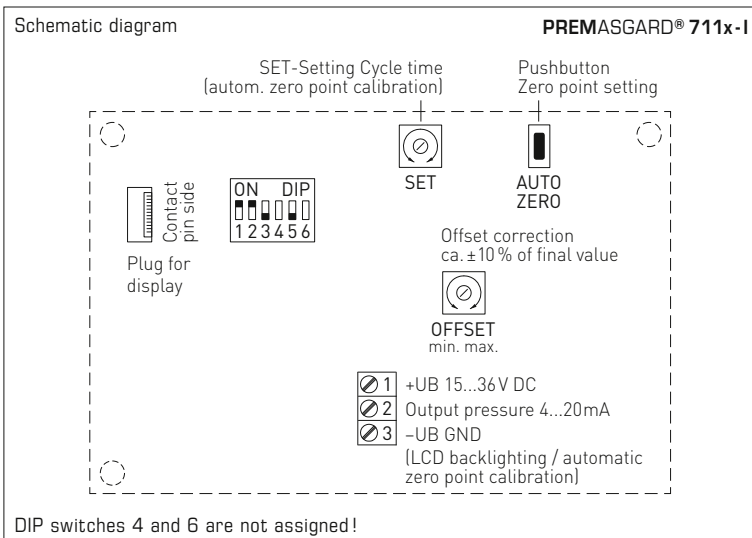
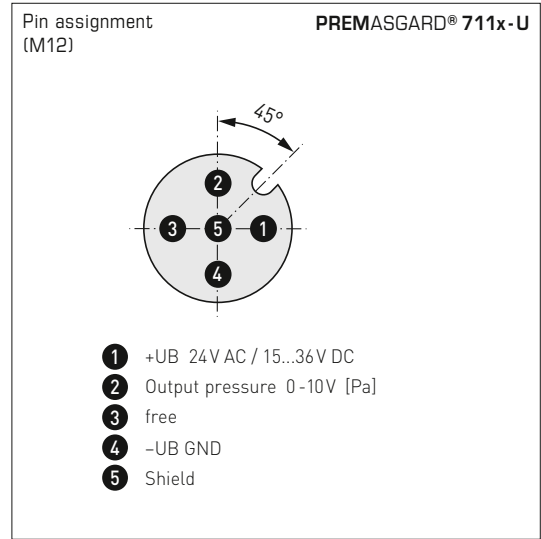
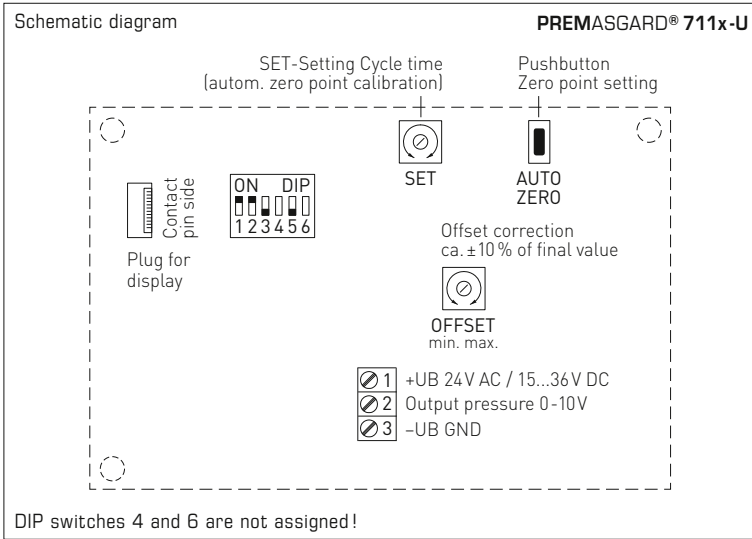


M12 connector (male)

Pressure port for PVC/fabric pressure hose (optional)



Pressure and differential pressure measuring transducers, including connection set, adjustable, calibratable, with multi-range switching and active output

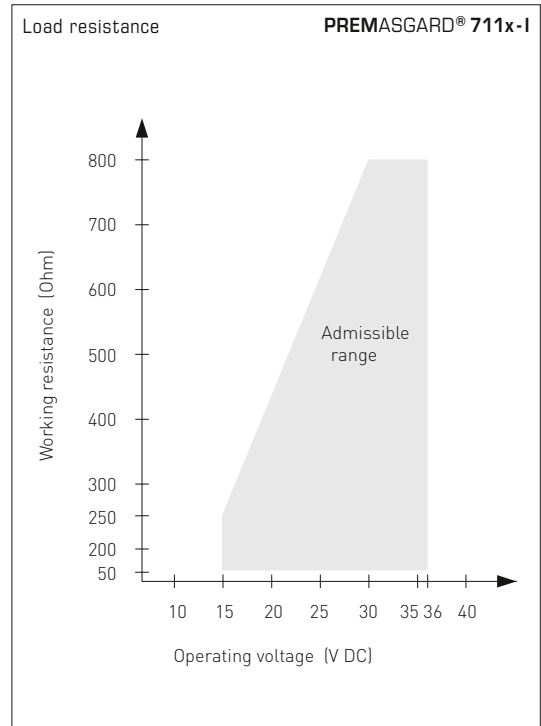


Display with option automatic zero point calibration

Standard
Actual pressure (in Pa)
Calibration interval (arrows)

Zero point calibration active
Remaining calibration time (in seconds)

Adjustment of zero point calibration
Cycle time (15 min to 24 hours) adjustable by potentiometer.





Pressure and differential pressure measuring transducers, including connection set, adjustable, calibratable, with multi-range switching and active output

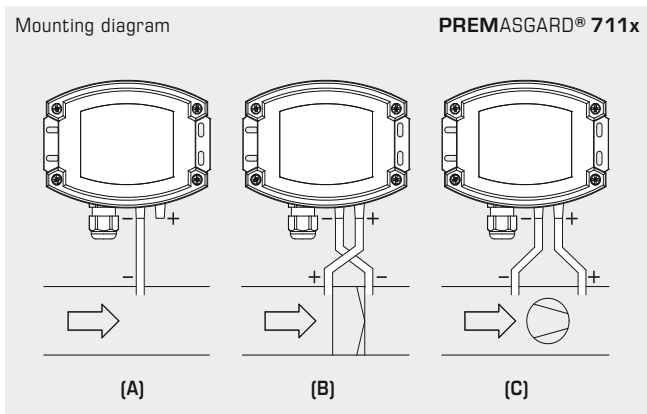
PREMASGARD® 711x-Q
with display,
hinged



Pressure range (selectable) – max. measuring range (default) is depending to the type of device								DIP 1	DIP 2
0...25 Pa	0...50 Pa	0...100 Pa	0...1000 Pa	-25...+25 Pa	-50...+50 Pa	-100...+100 Pa	-1000...+1000 Pa	OFF	OFF
-	-	0...300 Pa	0...2000 Pa	-	-	-300...+300 Pa	-2000...+2000 Pa	ON	OFF
-	-	0...500 Pa	0...3000 Pa	-	-	-500...+500 Pa	-3000...+3000 Pa	OFF	ON
0...25 Pa	0...100 Pa	0...1000 Pa	0...5000 Pa	-25...+25 Pa	-100...+100 Pa	-1000...+1000 Pa	-5000...+5000 Pa	ON	ON

Measuring range mode (Mode selectable)	DIP 3
Unidirectional (0...+MR) (default)	OFF
Bidirectional (-MR...+MR)	ON

Measurement signal filtering (Time interval selectable)	DIP 5
10 s (default)	OFF
1 s	ON



TYPES OF MONITORING:

- (A) Below-atmospheric pressure:**
P1 (+) is not connected
but open against atmosphere
P2 (-) connected to inside of duct
- (B) Filter:**
P1 (+) connected upstream of filter
P2 (-) connected downstream of filter
- (C) Ventilator:**
P1 (+) connected downstream of ventilator
P2 (-) connected upstream of ventilator

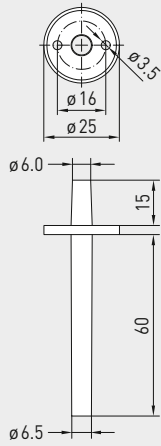
Pressure connections at the pressure switch are marked with P1 (+) for higher pressure and P2 (-) for lower pressure.

Conversion table for pressure values:

Unit =	bar	mbar	Pa	kPa	mWS
1 Pa	0,00001 bar	0,01 mbar	1 Pa	0,001 kPa	0,000101971 mWS
1 kPa	0,01 bar	10 mbar	1000 Pa	1 kPa	0,101971 mWS
1 bar	1 bar	1000 mbar	100000 Pa	100 kPa	10,1971 mWS
1 mbar	0,001 bar	1 mbar	100 Pa	0,1 kPa	0,0101971 mWS
1 mWS	0,0980665 bar	98,0665 mbar	9806,65 Pa	9,80665 kPa	1 mWS

Pressure and differential pressure measuring transducers, including connection set, adjustable, calibratable, with multi-range switching and active output

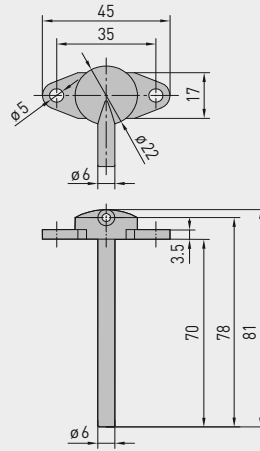
Dimensional drawing [mm] ASD-06



ASD-06 Connection set



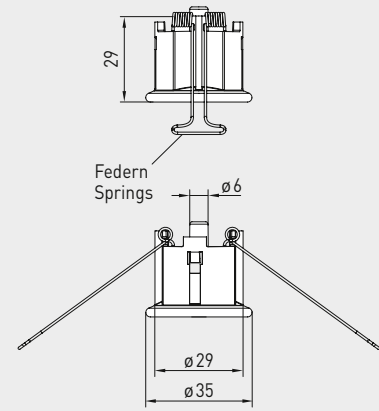
Dimensional drawing [mm] ASD-07



ASD-07 Connection nipple



Dimensional drawing [mm] DAL-01



DAL-01 Pressure outlet



WS-03 Weather and sun protection hood (optional)

Pressure port for pressure hose (as standard)



Pressure port for PVC/fabric pressure hose (optional)



ACCESSORIES

ASD-06	Connection set (included in the scope of delivery), consisting of 2 connection nipples (straight) made of ABS, 2 m PVC hose (soft, UV-resistant) and 4 screws	7100-0060-3000-000	7,64 €
ASD-07	2 connection nipples (at 90 degree angle) made of plastic, ABS	7100-0060-7000-000	7,64 €
DAL-01	Pressure outlet for ceiling or in-wall installation (e.g. in clean rooms)	7300-0060-3000-001	35,77 €
WS-03	Weather and sun protection hood, 200 x 180 x 150 mm, stainless steel V2A (1.4301)	7100-0040-6000-000	44,74 €

For further information, see chapter Accessories!



S+S REGELTECHNIK

PREMASGARD® 711x

Pressure and differential pressure measuring transducers, including connection set, adjustable, calibratable, with multi-range switching and active output

PREMASGARD® 711x-Q
with M12 connector



PREMASGARD® 711x
with cable gland



PREMASGARD® 711x		Pressure and differential pressure measuring transducers, <i>Deluxe</i>			
Pressure range (adjustable)	Type / WG02	Output	Display ● = Q	Item No.	Price
max. - 1000...+ 1000 Pa Type 7111					
0... 100 Pa / - 100... + 100 Pa	PREMASGARD 7111-U	0-10V		1301-7111-0010-200	168,09 €
0... 300 Pa / - 300... + 300 Pa	PREMASGARD 7111-U LCD	0-10V	■	1301-7111-4010-200	235,82 €
0... 500 Pa / - 500... + 500 Pa	PREMASGARD 7111-I	4...20mA		1301-7112-0010-100	168,09 €
0... 1000 Pa / -1000... + 1000 Pa	PREMASGARD 7111-I LCD	4...20mA	■	1301-7112-4010-100	235,82 €
	PREMASGARD 7111-U Q	0-10V	●	2004-6131-1100-001	210,02 €
	PREMASGARD 7111-U Q LCD	0-10V	● ■	2004-6132-1100-001	277,74 €
	PREMASGARD 7111-I Q	4...20mA	●	2004-6131-2100-001	210,02 €
	PREMASGARD 7111-I Q LCD	4...20mA	● ■	2004-6132-2100-001	277,74 €
max. - 5000...+ 5000 Pa Type 7115					
0... 1000 Pa / - 1000... + 1000 Pa	PREMASGARD 7115-U	0-10V		1301-7111-0050-200	168,09 €
0... 2000 Pa / - 2000... + 2000 Pa	PREMASGARD 7115-U LCD	0-10V	■	1301-7111-4050-200	235,82 €
0... 3000 Pa / - 3000... + 3000 Pa	PREMASGARD 7115-I	4...20mA		1301-7112-0050-100	168,09 €
0... 5000 Pa / - 5000... + 5000 Pa	PREMASGARD 7115-I LCD	4...20mA	■	1301-7112-4050-100	235,82 €
	PREMASGARD 7115-U Q	0-10V	●	2004-6131-1100-011	210,02 €
	PREMASGARD 7115-U Q LCD	0-10V	● ■	2004-6132-1100-021	277,74 €
	PREMASGARD 7115-I Q	4...20mA	●	2004-6131-2100-011	210,02 €
	PREMASGARD 7115-I Q LCD	4...20mA	● ■	2004-6132-2100-011	277,74 €
max. - 100...+ 100 Pa Type 7110					
0... +50 Pa / -50... +50 Pa	PREMASGARD 7110-U	0-10V		1301-7111-0110-200	211,63 €
0...+100 Pa / -100...+100 Pa	PREMASGARD 7110-U LCD	0-10V	■	1301-7111-4110-200	272,10 €
	PREMASGARD 7110-I	4...20mA		1301-7112-0110-100	211,63 €
	PREMASGARD 7110-I LCD	4...20mA	■	1301-7112-4110-100	272,10 €
	PREMASGARD 7110-U Q	0-10V	●	2004-6131-1100-021	253,55 €
	PREMASGARD 7110-U Q LCD	0-10V	● ■	2004-6132-1100-031	314,01 €
	PREMASGARD 7110-I Q	4...20mA	●	2004-6131-2100-021	253,55 €
	PREMASGARD 7110-I Q LCD	4...20mA	● ■	2004-6132-2100-021	314,01 €
max. - 25...+ 25 Pa Type 7112					
0... +25 Pa / -25... +25 Pa	PREMASGARD 7112-U	0-10V		1301-7111-0370-200	270,88 €
	PREMASGARD 7112-U LCD	0-10V	■	1301-7111-4370-200	320,72 €
	PREMASGARD 7112-I	4...20mA		1301-7112-0370-200	270,88 €
	PREMASGARD 7112-I LCD	4...20mA	■	1301-7112-4370-200	320,72 €
	PREMASGARD 7112-U Q	0-10V	●	2004-6131-1100-031	312,82 €
	PREMASGARD 7112-U Q LCD	0-10V	● ■	2004-6132-1100-011	362,64 €
	PREMASGARD 7112-I Q	4...20mA	●	2004-6131-3100-001	312,82 €
	PREMASGARD 7112-I Q LCD	4...20mA	● ■	2004-6132-3100-011	362,64 €
Housing variant "Q":	Cable connection with M12 connector (male, 5-pin , A-code)				
Multi-range switching:	The pressure ranges depend on the device type and can be set via DIP switches.				
Extra charge:	Other special measuring ranges up to max. 5000 Pa with optional automatic zero point calibration with optional quick connect for PVC fabric pressure hose Ø 6 mm				49,83 € 72,56 € 41,94 €

Pressure and differential pressure measuring transducers, adjustable, calibratable, with multi-range switching and active output

The calibratable pressure sensors **PREMASGARD® 711x-VA** (series) with eight switchable measuring ranges (eight devices in one), **stainless steel V4A** housing, optionally with /without display, with cable gland or M12 connector according to DIN EN 61076-2-101 and pressure port using quick connect (pipe fitting optional) are used to measure positive, negative or differential pressures in air. The piezoresistive measuring element is temperature-compensated and guarantees a high degree of reliability and accuracy.

Applications of these pressure sensors are in clean room, medical and filter technology, in ventilation and air conditioning ducts, in spray booths, in large-scale catering facilities, for filter monitoring and level measurement or for triggering frequency converters. Media measured with these pressure transducers are air (non-precipitating), or other gaseous, non-aggressive, non-combustible media.

The pressure sensor has a button for manual zero point calibration (automatic zero point calibration optional/standard for 25 Pa) and an offset potentiometer for final value correction. The sensor is factory-calibrated; an environmental precision adjustment by an expert is possible.

PREMASGARD® 711x-VA
with cable gland



PREMASGARD® 711x-VAQ
with M12 connector



Pressure port for PVC / fabric pressure hose (as standard)



TECHNICAL DATA

Power supply:	24 V AC (±20%); 15...36 V DC for U variant 15...36 V DC for I variant, depending on working resistance, residual ripple stabilised ±0.3V
Working resistance:	$R_a(\text{Ohm}) = (U_b - 14 \text{ V}) / 0.02 \text{ A}$ for I variant, see working resistance diagram
Load resistance:	$R_L > 5 \text{ kOhm}$ for U variant
Power consumption:	< 2 VA / 24 V DC, < 3.5 VA / 24 V AC
Measuring ranges:	multi-range switching with 8 switchable measuring ranges (see table)
Type of pressure:	differential pressure
Pressure port:	with quick connect made from stainless steel for PVC/fabric pressure hose Ø 6 mm (external diameter) optionally with pipe fitting made from stainless steel V2A (1.4305) for pressure lines Ø 6 mm
Medium:	clean air and non-aggressive, non-combustible gases
Media temperature:	-20...+50 °C
Accuracy:	Type 7112 (25 Pa): typically ± 1 Pa Type 7110 (100 Pa): typically ± 2 Pa Type 7111 (1000 Pa): typically ± 5 Pa Type 7115 (5000 Pa): typically ± 25 Pa compared to the calibrated reference device
Sum of linearity+hysteresis:	< ± 1 % of final value ± 2 % of final value for pressure ranges < ± 250 Pa
Temp. drift values:	± 0.1 % / °C ± 0.3 % / °C for pressure ranges < 250 Pa
Zero point offset:	< ± 0.7 % of final value ± 1.4 % of final value for pressure ranges < 250 Pa
Positive /negative pressure:	max. ± 100 hPa
Signal filtering:	switchable 1 s / 10 s (via DIP switches)
Output:	0 -10 V or 4...20 mA
Connection type:	2- or 3-wire connection
Electrical connection:	0.14 -1.5 mm², via plug-in screw terminal
Cable connection:	cable gland, stainless steel V2A (1.4305) (M20 x 1.5; with strain relief, exchangeable, inner diameter 6 - 12 mm) or M12 connector (male, 5-pin, A-code) according to DIN EN 61076-2-101
Housing:	stainless steel V4A (1.4571), with non-distortion cover bolting, impact-resistant, high EMI shielding, corrosion, temperature, weather- and UV-resistant
Housing dimensions:	143 x 97 x 61 mm (Tyr 2E)
Air humidity:	<95 % RH, non-precipitating air
Protection class:	III (according to EN 60730)
Protection type:	IP 65 (according to EN 60529) in the built-in state Housing tested, TÜV SÜD, Report No. 713160960B (Skadi2)
Standards:	CE conformity according to EMC Directive 2014 / 30 / EU, according to EN 61326-1, according to EN 61326-2-3
Equipment:	display with illumination , three-line, cutout approx. 70 x 40 mm (W x H), to display the ACTUAL pressure as well as the automatic zero point calibration
ACCESSORIES	(see table)



Dimensional drawing [mm] **PREMASGARD® 711x-VA**

Housing with cable gland
equipped as standard with quick connect for pressure hoses

Housing with M12 connector
equipped as standard with quick connect for pressure hoses

Pressure port for PVC / fabric pressure hose (as standard)

M12 connector (male)



PREMASGARD® 711x-VAQ with M12 connector and display



Dimensional drawing [mm] **PREMASGARD® 711x-VA**

Housing with cable gland
optional on request with pipe fitting for pressure lines

Housing with M12 connector
optional on request with pipe fitting for pressure lines

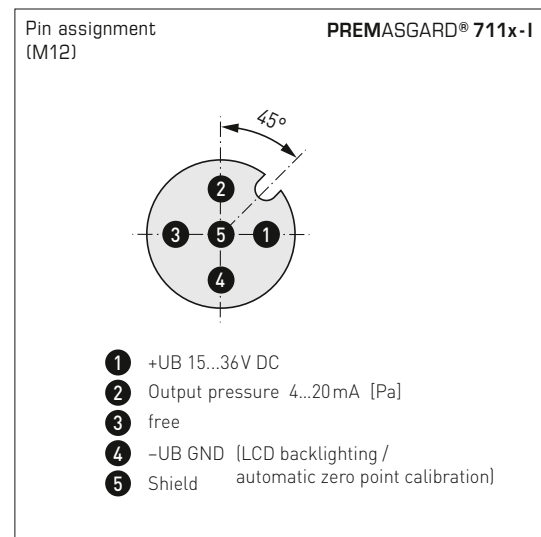
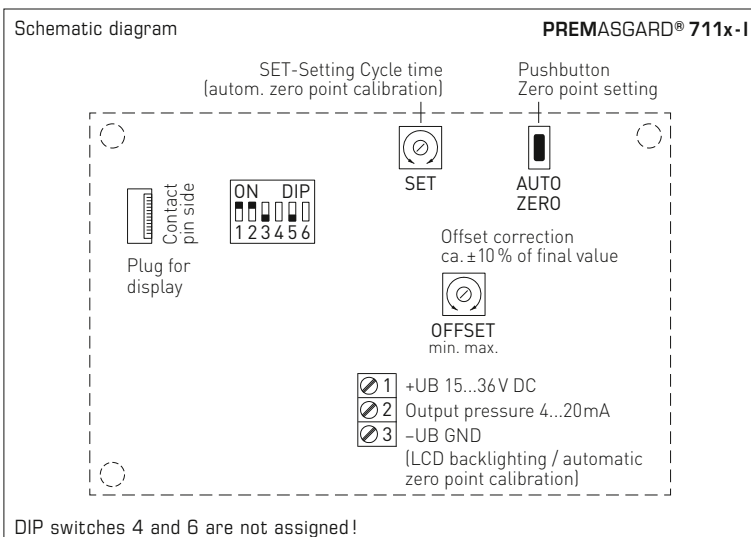
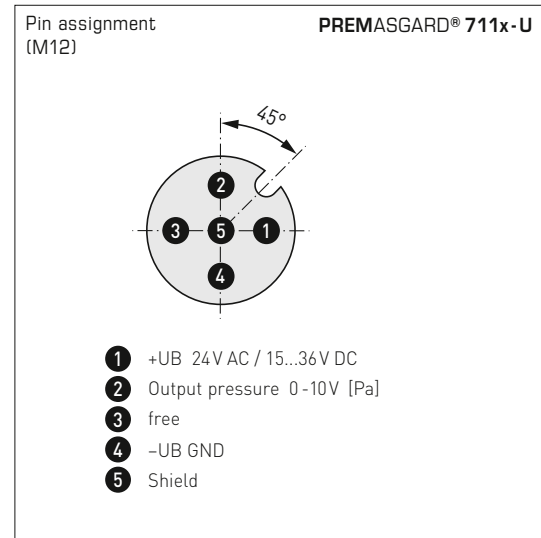
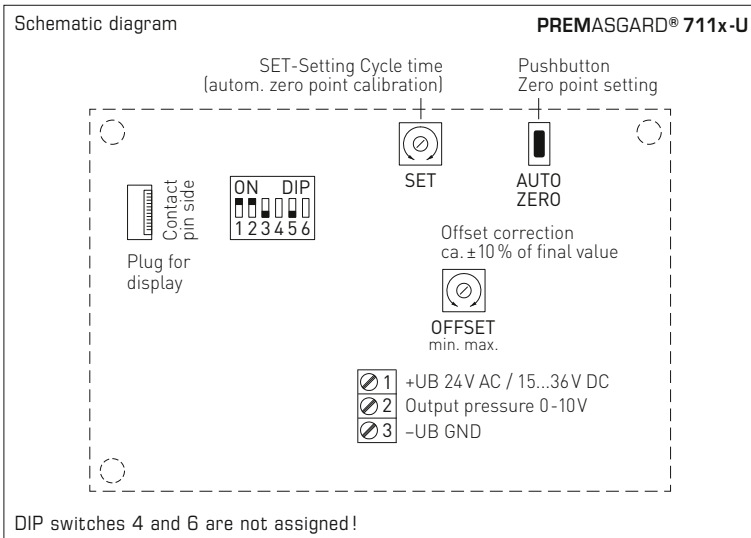
Pressure port for pressure lines / pipes (optional)

M12 connector (male)

Pressure port for pressure lines / pipes (optional)



Pressure and differential pressure measuring transducers,
adjustable, calibratable,
with multi-range switching and active output

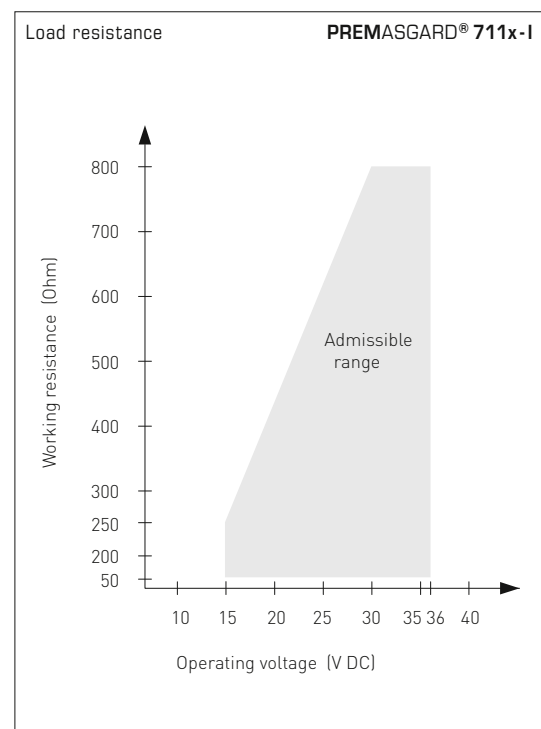


Display with option automatic zero point calibration

Standard
Actual pressure (in Pa)
Calibration interval (arrows)

Zero point calibration active
Remaining calibration time (in seconds)

Adjustment of zero point calibration
Cycle time (15 min to 24 hours) adjustable by potentiometer.





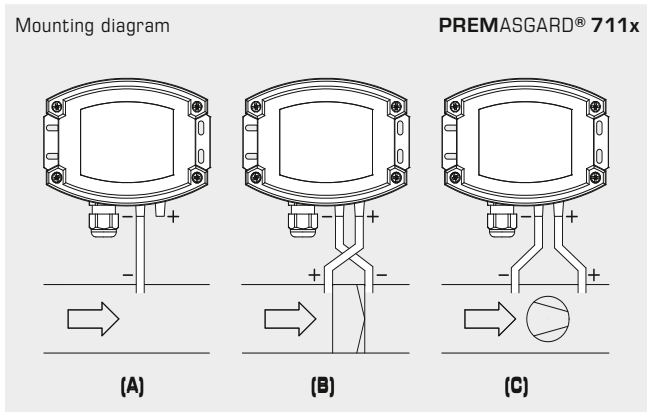
PREMASGARD® 711x-VAQ
with display,
hinged



Pressure range (selectable) – max. measuring range (default) is depending to the type of device								DIP 1	DIP 2
0...25 Pa	0...50 Pa	0...100 Pa	0...1000 Pa	-25...+25 Pa	-50...+50 Pa	-100...+100 Pa	-1000...+1000 Pa	OFF	OFF
-	-	0...300 Pa	0...2000 Pa	-	-	-300...+300 Pa	-2000...+2000 Pa	ON	OFF
-	-	0...500 Pa	0...3000 Pa	-	-	-500...+500 Pa	-3000...+3000 Pa	OFF	ON
0...25 Pa	0...100 Pa	0...1000 Pa	0...5000 Pa	-25...+25 Pa	-100...+100 Pa	-1000...+1000 Pa	-5000...+5000 Pa	ON	ON

Measuring range mode (Mode selectable)	DIP 3
Unidirectional (0...+MR) (default)	OFF
Bidirectional (-MR...+MR)	ON

Measurement signal filtering (Time interval selectable)	DIP 5
10 s (default)	OFF
1 s	ON



TYPES OF MONITORING:

(A) Below-atmospheric pressure:

P1 (+) is not connected
but open against atmosphere
P2 (-) connected to inside of duct

(B) Filter:

P1 (+) connected upstream of filter
P2 (-) connected downstream of filter

(C) Ventilator:

P1 (+) connected downstream of ventilator
P2 (-) connected upstream of ventilator

Pressure connections at the pressure switch are marked with P1 (+) for higher pressure and P2 (-) for lower pressure.

Conversion table for pressure values:

Unit =	bar	mbar	Pa	kPa	mWS
1 Pa	0,00001 bar	0,01 mbar	1 Pa	0,001 kPa	0,000101971 mWS
1 kPa	0,01 bar	10 mbar	1000 Pa	1 kPa	0,101971 mWS
1 bar	1 bar	1000 mbar	100000 Pa	100 kPa	10,1971 mWS
1 mbar	0,001 bar	1 mbar	100 Pa	0,1 kPa	0,0101971 mWS
1 mWS	0,0980665 bar	98,0665 mbar	9806,65 Pa	9,80665 kPa	1 mWS

Pressure and differential pressure measuring transducers,
adjustable, calibratable,
with multi-range switching and active output

PREMASGARD® 711x-VAQ
with M12 connector



PREMASGARD® 711x-VAQ		Pressure and differential pressure measuring transducer, ID Stainless steel housing with M12 connector			
Pressure range (adjustable)	Type / WG02I	Output	Display ● = Q	Item No.	Price
max. - 1000...+ 1000 Pa		Type 7111			
0... 100 Pa / - 100... + 100 Pa	PREMASGARD 7111-U VAQ	0-10 V	●	2004-6191-1100-001	558,74 €
0... 300 Pa / - 300... + 300 Pa	PREMASGARD 7111-U VAQ LCD	0-10 V	● ■	2004-6192-1100-001	740,21 €
0... 500 Pa / - 500... + 500 Pa	PREMASGARD 7111-I VAQ	4...20mA	●	2004-6191-2100-001	558,74 €
0... 1000 Pa / -1000... + 1000 Pa	PREMASGARD 7111-I VAQ LCD	4...20mA	● ■	2004-6192-2100-001	740,21 €
max. - 5000...+ 5000 Pa		Type 7115			
0... 1000 Pa / - 1000... + 1000 Pa	PREMASGARD 7115-U VAQ	0-10 V	●	2004-6191-1100-011	558,74 €
0... 2000 Pa / -2000... + 2000 Pa	PREMASGARD 7115-U VAQ LCD	0-10 V	● ■	2004-6192-1100-011	740,21 €
0... 3000 Pa / -3000... + 3000 Pa	PREMASGARD 7115-I VAQ	4...20mA	●	2004-6191-2100-011	558,74 €
0... 5000 Pa / -5000... + 5000 Pa	PREMASGARD 7115-I VAQ LCD	4...20mA	● ■	2004-6192-2100-011	740,21 €
max. - 100...+ 100 Pa		Type 7110			
0... +50 Pa / -50... +50 Pa	PREMASGARD 7110-U VAQ	0-10 V	●	2004-6191-1100-021	621,09 €
0...+100 Pa / -100...+100 Pa	PREMASGARD 7110-U VAQ LCD	0-10 V	● ■	2004-6192-1100-021	794,63 €
	PREMASGARD 7110-I VAQ	4...20mA	●	2004-6191-2100-021	621,09 €
	PREMASGARD 7110-I VAQ LCD	4...20mA	● ■	2004-6192-2100-021	794,63 €
max. - 25...+ 25 Pa		Type 7112			
0... +25 Pa / -25... +25 Pa	PREMASGARD 7112-U VAQ	0-10 V	●	2004-6191-1100-031	709,97 €
<i>equipped as standard with automatic zero point calibration (3-wire connection)</i>	PREMASGARD 7112-U VAQ LCD	0-10 V	● ■	2004-6192-1100-031	867,55 €
	PREMASGARD 7112-I VAQ	4...20mA	●	2004-6191-3100-001	709,97 €
	PREMASGARD 7112-I VAQ LCD	4...20mA	● ■	2004-6192-3100-001	867,55 €
Housing variant "Q":	Cable connection with M12 connector (male, 5-pin, A-code)				
Multi-range switching:	The pressure ranges depend on the device type and can be set via DIP switches.				
Extra charge:	Other special measuring ranges up to max. 5000 Pa with optional automatic zero point calibration with optional pipe fitting made from stainless steel V2A for pressure lines Ø 6 mm				49,83 € 72,56 € 41,94 €

ACCESSORIES

xx-M12 Special accessories for M12 connector

For further information, see chapter Accessories!



PREMASGARD® 711x-VA		Pressure and differential pressure measuring transducer, ID Stainless steel housing with cable gland			
Pressure range (adjustable)	Type / WG02I	Output	Display	Item No.	Price
max. - 1000...+ 1000 Pa		Type 7111			
0... 100 Pa / - 100... + 100 Pa	PREMASGARD 7111-U VA	0-10V		2004-6191-1200-001	523,17 €
0... 300 Pa / - 300... + 300 Pa	PREMASGARD 7111-U VA LCD	0-10V	■	2004-6192-1200-001	701,67 €
0... 500 Pa / - 500... + 500 Pa	PREMASGARD 7111-I VA	4...20mA		2004-6191-2200-001	523,17 €
0... 1000 Pa / -1000... + 1000 Pa	PREMASGARD 7111-I VA LCD	4...20mA	■	2004-6192-2200-001	701,67 €
max. - 5000...+ 5000 Pa		Type 7115			
0...1000 Pa / - 1000 ... + 1000 Pa	PREMASGARD 7115-U VA	0-10V		2004-6191-1200-011	523,17 €
0...2000 Pa / -2000 ... +2000 Pa	PREMASGARD 7115-U VA LCD	0-10V	■	2004-6192-1200-011	701,67 €
0...3000 Pa / -3000 ... +3000 Pa	PREMASGARD 7115-I VA	4...20mA		2004-6191-2200-011	523,17 €
0...5000 Pa / -5000 ... + 5000 Pa	PREMASGARD 7115-I VA LCD	4...20mA	■	2004-6192-2200-011	701,67 €
max. - 100...+ 100 Pa		Type 7110			
0... +50 Pa / -50... +50 Pa	PREMASGARD 7110-U VA	0-10V		2004-6191-1200-021	582,54 €
0...+100 Pa / -100...+100 Pa	PREMASGARD 7110-U VA LCD	0-10V	■	2004-6192-1200-021	756,08 €
	PREMASGARD 7110-I VA	4...20mA		2004-6191-2200-021	582,54 €
	PREMASGARD 7110-I VA LCD	4...20mA	■	2004-6192-2200-021	756,08 €
max. - 25...+ 25 Pa		Type 7112			
0... +25 Pa / -25... +25 Pa	PREMASGARD 7112-U VA	0-10V		2004-6191-1200-031	671,43 €
<i>equipped as standard with automatic zero point calibration (3-wire connection)</i>	PREMASGARD 7112-U VA LCD	0-10V	■	2004-6192-1200-031	829,02 €
	PREMASGARD 7112-I VA	4...20mA		2004-6191-3200-001	671,43 €
	PREMASGARD 7112-I VA LCD	4...20mA	■	2004-6192-3200-001	829,02 €
Housing variant:	Cable connection with cable gland made from stainless steel V2A (1.4305)				
Multi-range switching:	The pressure ranges depend on the device type and can be set via DIP switches.				
Extra charge:	Other special measuring ranges up to max. 5000 Pa with optional automatic zero point calibration with optional pipe fitting made from stainless steel V2A for pressure lines Ø 6 mm				49,83 € 72,56 € 41,94 €



Pressure port for
PVC / fabric pressure hose
(as standard)



Pressure port
for pressure lines / pipes
(optional)

Dual pressure sensor (2 measuring channels), pressure and differential pressure measuring transducer, incl. connection set, calibratable, with multi-range switching and active output (Automatic Output Switching)

Patented quality product (patent no. DE 10 2015 015 941 B4)

Calibratable dual pressure sensor **PREMASGARD® 722x** (series) with 2 x 8 switchable measuring ranges, 2 automated output signals (32 devices in one), housing with pressure connection nozzle from impact-resistant plastic, optionally with/without display, with cable gland or M12 connector acc. to DIN EN 61076-2-101 for measuring overpressure, underpressure or differential pressure of the air. The pressure measuring transducer automatically detects the required output type and converts the measurands into the required standard signal of 0-10 V or 4...20 mA (**Automatic Output Switching**).

It is used in the clean room, medical and filter technology, ventilation and air conditioning ducts, spray booths, large-scale catering facilities, for filter monitoring and level measurement or for triggering frequency converters. Media measured with this pressure measuring transducer are clean air (non-precipitating), or other gaseous, non-aggressive, non-combustible media.

Both pressure sensors with piezoresistive measuring element are temperature-compensated and guarantee a high level of reliability and accuracy. The device has a push-button for manual zero point matching as well as an offset potentiometer for correcting the final value. The sensor is factory-calibrated; an environmental precision adjustment by an expert is possible. The delivery includes a connection set **ASD-06** (2 m connection hose, two pressure connection nipples, screws).

PREMASGARD® 722x
with cable gland



PREMASGARD® 722x-Q
with M12 connector



Dual pressure connection
Housing with cable gland



TECHNICAL DATA

Power supply:	24 V AC/DC (± 10%)
Working resistance:	R_a (ohms) = 25...450 Ohm (at I output)
Load resistance:	$R_L > 15$ kOhm (at U output)
Power consumption:	< 2 W / 24 V DC; < 4.4 VA / 24 V AC
Pressure type:	differential pressure (2 measuring channels)
Measuring ranges:	Multi-range switching with 2 x 8 switchable measuring ranges (see table)
Accuracy:	Type 7229 (500 Pa): typical ± 13 Pa Type 722x (7000 Pa): typical ± 105 Pa compared to a calibrated reference device
Pressure connection:	with connection nozzle for pressure hose Ø 6 mm
Medium:	clean air and non-aggressive, non-combustible gases
Media temperature:	-20...+50 °C (temperature-compensated 0...+50 °C)
Temp. drift values:	± 0.1 % / °C final value
Zero point offset:	± 10 % measuring range
Above- / below-pressure:	± 50 kPa
Signal filtering:	switchable 1 s / 10 s (via DIP switch)
Output:	automatically 0-10 V / 4...20 mA (via Automatic Output Switching – the device detects the required output type and automatically switches to U or I output)
Switching type:	3-wire connection
electrical connection:	0.2–1.5 mm ² , via push-in clamp
Cable connection:	cable gland from plastic (M 16 x 1.5; with strain relief, exchangeable, max. inner diameter 10.4 mm) or M12 connector (male, 5-pin, A-code) according to DIN EN 61076-2-101
Housing:	plastic, UV-resistant, polyamide material, 30 % glass-globe reinforced, with quick-locking screws (slotted / Philips head combination), colour traffic white (similar to RAL 9016), housing cover for display is transparent!
Housing dimensions:	126 x 90 x 50 mm (Tyr 2)
Humidity:	< 95 % RH, non-precipitating air
Protection class:	III (according to EN 60730)
Safety class:	IP 65 (according to EN 60529) in the built-in state
Standards:	CE conformity, electro-magnetic compatibility according to EN 61326, EMC Directive 2014 / 30 / EU
Features:	Illuminated display , 3 lines, cut-out approx. 70 x 40 mm (W x H), to display the ACTUAL pressure of both channels (cyclical)
ACCESSORIES	see table



NEW

S+S REGELTECHNIK

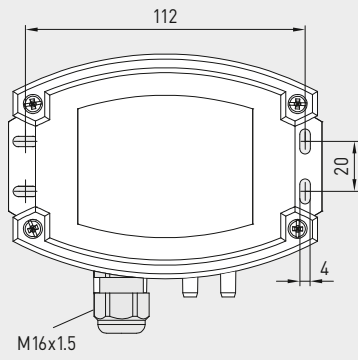
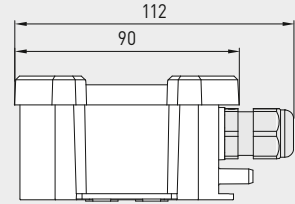
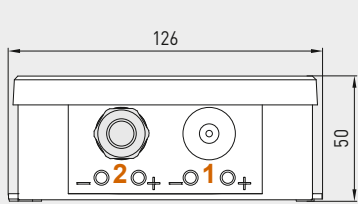
PREMASGARD® 722x

Dual pressure sensor (2 measuring channels),
pressure and differential pressure measuring transducer,
incl. connection set, calibratable, with multi-range switching
and active output (Automatic Output Switching)



Dimensional drawing
(mm)

PREMASGARD® 722x



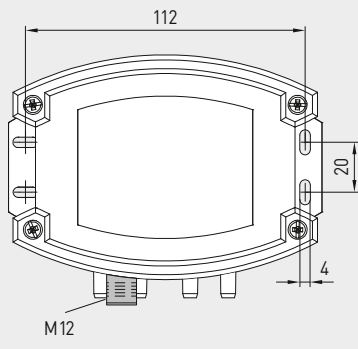
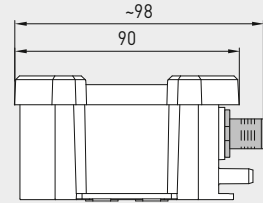
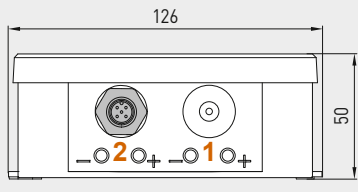
Housing with
dual pressure connection
(2 measuring channels)
and cable gland

PREMASGARD® 722x
with cable gland
and display



Dimensional drawing
(mm)

PREMASGARD® 722x-Q



Housing with
dual pressure connection
(2 measuring channels)
and M12 connector
(male)



PREMASGARD® 722x-Q
with M12 connector
and display



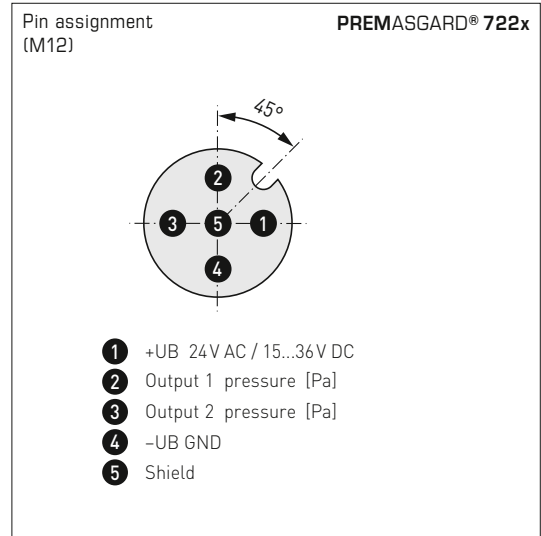
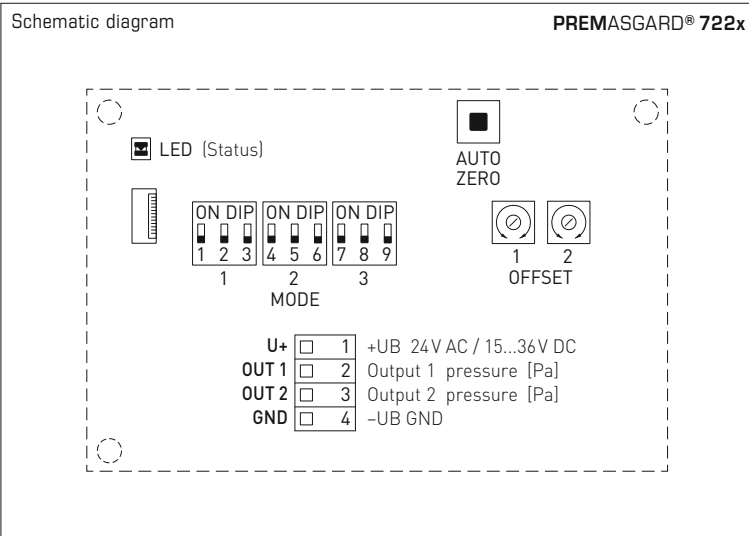
Dual pressure connection
Housing with
M12 connector



Automatic detection and switching
to standard signal 0...10V or 4...20 mA

AOS-PATENTED
AUTOMATIC OUTPUT SWITCHING

Dual pressure sensor (2 measuring channels),
pressure and differential pressure measuring transducer,
incl. connection set, calibratable, with multi-range switching
and active output (Automatic Output Switching)



Measuring channel 1 Pressure range				
Type 7227 adjustable	Type 7229 adjustable	DIP 1	DIP 2	DIP 3
0...+1000 Pa	0...+100 Pa	OFF	OFF	OFF
0...+3000 Pa	0...+200 Pa	ON	OFF	OFF
0...+5000 Pa	0...+300 Pa	OFF	ON	OFF
0...+7000 Pa	0...+500 Pa	ON	ON	OFF
-1000...+1000 Pa	-100...+100 Pa	OFF	OFF	ON
-3000...+3000 Pa	-200...+200 Pa	ON	OFF	ON
-5000...+5000 Pa	-300...+300 Pa	OFF	ON	ON
-7000...+7000 Pa	-500...+500 Pa	ON	ON	ON

Measuring channel 2 Pressure range			
Type 722x adjustable	DIP 4	DIP 5	DIP 6
0...+1000 Pa	OFF	OFF	OFF
0...+3000 Pa	ON	OFF	OFF
0...+5000 Pa	OFF	ON	OFF
0...+7000 Pa	ON	ON	OFF
-1000...+1000 Pa	OFF	OFF	ON
-3000...+3000 Pa	ON	OFF	ON
-5000...+5000 Pa	OFF	ON	ON
-7000...+7000 Pa	ON	ON	ON

Mode Measurement signal filtering	
Selectable time interval	DIP 7
10 s (default)	OFF
1 s	ON

Note:
DIP 8 and 9 are not defined!

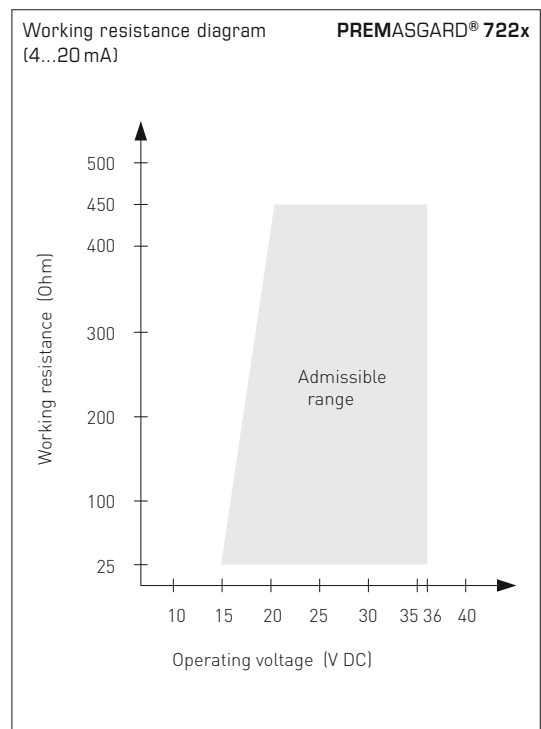
Displays **PREMASGARD® 722x**

Default display
Measured value

Actual pressure [Pa] of both channels is shown cyclically (Interval approx. 6 seconds).
The associated measuring channel is shown on the bottom left.

Status display
zero point calibration

Remaining calibration time is shown (in seconds).
Change from "AUTO 0" to "PROG 0" shows that matching was correct.





NEW

S+S REGELTECHNIK

PREMASGARD® 722x

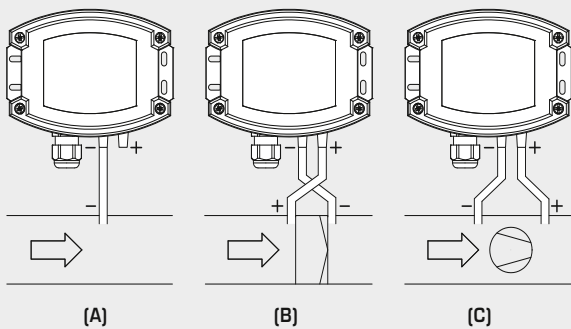
Dual pressure sensor (2 measuring channels), pressure and differential pressure measuring transducer, incl. connection set, calibratable, with multi-range switching and active output (Automatic Output Switching)

PREMASGARD® 722x-Q with display, hinged



Mounting diagram

PREMASGARD® 722x



TYPES OF MONITORING:

- (A) Below-atmospheric pressure:**
P1 (+) is not connected but open against atmosphere
P2 (-) connected to inside of duct
- (B) Filter:**
P1 (+) connected upstream of filter
P2 (-) connected downstream of filter
- (C) Ventilator:**
P1 (+) connected downstream of ventilator
P2 (-) connected upstream of ventilator

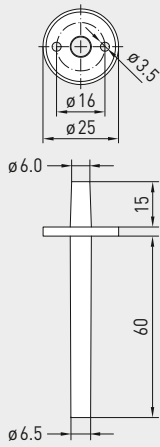
Pressure connections at the pressure switch are marked with P1 (+) for higher pressure and P2 (-) for lower pressure.

Conversion table for pressure values:

Unit =	bar	mbar	Pa	kPa	mWS
1 Pa	0,00001 bar	0,01 mbar	1 Pa	0,001 kPa	0,000101971 mWS
1 kPa	0,01 bar	10 mbar	1000 Pa	1 kPa	0,101971 mWS
1 bar	1 bar	1000 mbar	100000 Pa	100 kPa	10,1971 mWS
1 mbar	0,001 bar	1 mbar	100 Pa	0,1 kPa	0,0101971 mWS
1 mWS	0,0980665 bar	98,0665 mbar	9806,65 Pa	9,80665 kPa	1 mWS

Dual pressure sensor (2 measuring channels), pressure and differential pressure measuring transducer, incl. connection set, calibratable, with multi-range switching and active output (Automatic Output Switching)

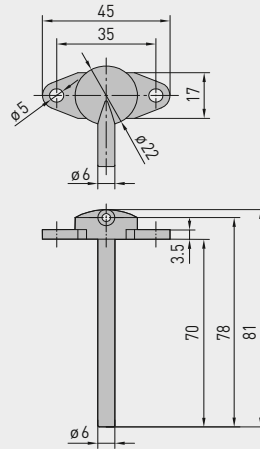
Dimensional drawing (mm) ASD-06



ASD-06 Connection set



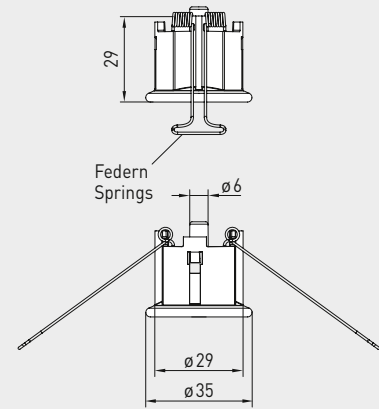
Dimensional drawing (mm) ASD-07



ASD-07 Connection nipple



Dimensional drawing (mm) DAL-01



DAL-01 Pressure outlet



WS-03 Weather and sun protection hood (optional)

ACCESSORIES

ASD-06	Connection set (included in the scope of delivery), consisting of 2 connection nipples (straight) made of ABS, 2 m PVC hose (soft, UV-resistant) and 4 screws	7100-0060-3000-000	7,64 €
ASD-07	2 connection nipples (at 90 degree angle) made of plastic, ABS	7100-0060-7000-000	7,64 €
DAL-01	Pressure outlet for ceiling or in-wall installation (e.g. in clean rooms)	7300-0060-3000-001	35,77 €
WS-03	Weather and sun protection hood, 200 x 180 x 150 mm, stainless steel V2A (1.4301)	7100-0040-6000-000	44,74 €

For further information, see chapter Accessories!



NEW

S+S REGELTECHNIK

PREMASGARD® 722x

Dual pressure sensor (2 measuring channels), pressure and differential pressure measuring transducer, incl. connection set, calibratable, with multi-range switching and active output (Automatic Output Switching)

PREMASGARD® 722x-Q with M12 connector



PREMASGARD® 722x with cable gland



PREMASGARD® 722x		Dual pressure sensor (2 measuring channels), pressure and differential pressure measuring transducer, <i>Deluxe</i>			
Pressure range (adjustable per channel)	Type/WG02	Output (automatically)	Display ● = Q	Item No.	Price
(1) max. - 7000...+ 7000 Pa (2) max. - 7000...+ 7000 Pa	Type 7227				
Channel (1) and (2): 0 ... 1000 Pa / - 1000 ... + 1000 Pa 0 ... 3000 Pa / - 3000 ... + 3000 Pa 0 ... 5000 Pa / - 5000 ... + 5000 Pa 0 ... 7000 Pa / - 7000 ... + 7000 Pa	PREMASGARD 7227	0-10V / 4...20mA		1301-712A-0950-200	229,07 €
	PREMASGARD 7227 LCD	0-10V / 4...20mA	■	1301-712A-4950-200	277,83 €
	PREMASGARD 7227 Q	0-10V / 4...20mA	●	2004-6331-B100-011	267,62 €
	PREMASGARD 7227 Q LCD	0-10V / 4...20mA	● ■	2004-6332-B100-011	316,39 €
(1) max. - 500... + 500 Pa (2) max. - 7000...+ 7000 Pa	Type 7229				
Channel (1): 0 ... 100 Pa / - 100 ... + 100 Pa 0 ... 200 Pa / - 200 ... + 200 Pa 0 ... 300 Pa / - 300 ... + 300 Pa 0 ... 500 Pa / - 500 ... + 500 Pa Channel (2): see Type 7227	PREMASGARD 7229	0-10V / 4...20mA		1301-712A-0930-200	229,07 €
	PREMASGARD 7229 LCD	0-10V / 4...20mA	■	1301-712A-4930-200	277,83 €
	PREMASGARD 7229 Q	0-10V / 4...20mA	●	2004-6331-B100-001	267,62 €
	PREMASGARD 7229 Q LCD	0-10V / 4...20mA	● ■	2004-6332-B100-001	316,39 €
Multi-range switching:	The pressure ranges depend on the device type and for each measuring channel, they are separately adjustable via DIP switch.				
Automatic Output Switching:	Patented analogue interface (patent no. DE 10 2015 015 941 B4) Device automatically detects the required output type 0-10 V or 4...20 mA.				
Housing variant Q:	Cable connection with M12 connector (male, 5 pin, A-code)				

**Pressure and differential pressure measuring transducers/switches,
incl. connection set, with multi-range switching
and adjustable, switching and active output**

The electronic **PREMASREG® 711x** pressure sensors and switches are equipped with eight switchable measuring ranges, one switching output, one continuous output, and a display for setting the switch-point and to display the ACTUAL pressure (eight devices in one, plus differential pressure switch / differential pressure monitor, continuous pressure sensor in a single device).

The pressure sensor with a housing made from impact-resistant plastic, with cable gland or M12 connector according to DIN EN 61076-2-101 and pressure connection nozzles (quick connect optional) is used to measure positive, negative or differential pressures in clean air, with limit value switching. The piezoresistive measuring element guarantees a high degree of reliability and accuracy.

Applications of these pressure sensors are in clean room, medical and filter technology, in ventilation and air conditioning ducts, in spray booths, in large-scale catering facilities, for filter monitoring and level measurement or for triggering frequency converters. Media measured with these pressure transducers are air (non-precipitating), or other gaseous, non-aggressive, non-combustible media.

The pressure sensor has a button for manual zero point calibration (automatic zero point calibration optional) and one offset potentiometer for setting the switching point and one for final value correction. The sensor is factory-calibrated; an environmental precision adjustment by an expert is possible. The delivery includes the connection set **ASD-06** (2m connection hose, two pressure port nipples, screws).

TECHNICAL DATA

Power supply:	24 V AC / DC (± 20%)
Load resistance:	$R_L > 5 \text{ k}\Omega$
Power consumption:	< 1 VA / 24 V DC, < 2.2 VA / 24 V AC
Measuring ranges:	multi-range switching with 8 switchable measuring ranges (see table)
Type of pressure:	differential pressure
Pressure connection:	with connection nozzle for pressure hose $\varnothing 6 \text{ mm}$, optionally with quick connect made from stainless steel for PVC fabric pressure hose $\varnothing 6 \text{ mm}$ (external diameter)
Medium:	clean air and non-aggressive, non-combustible gases
Media temperature:	-20...+50 °C
Accuracy:	Type 7111 (1000 Pa): typically $\pm 5 \text{ Pa}$ Type 7115 (5000 Pa): typically $\pm 25 \text{ Pa}$ compared to the calibrated reference device
Sum of linearity+hysteresis:	< $\pm 1 \%$ of final value
Temp. drift values:	$\pm 0.1 \%$ / °C
Zero point offset:	< $\pm 0.7 \%$ of final value
Setting increment Δp :	1% of pressure range (100 Pa => 1 Pa; 5000 Pa => 50 Pa)
Switching hysteresis:	$\pm 1 \%$ of pressure range (100 Pa => $\pm 1 \text{ Pa}$; 5000 Pa => $\pm 50 \text{ Pa}$)
Positive /negative pressure:	max. $\pm 100 \text{ hPa}$
Signal filtering:	switchable 1 s / 10 s (via DIP switches)
Output:	0 -10 V 1 changeover contact (24 V), 1 A ohmic load
Connection type:	3-wire connection
Electrical connection:	0.14 -1.5 mm ² , via plug-in screw terminal
Cable connection:	cable gland , plastic (M 16 x 1.5; with strain relief, exchangeable, max. inner diameter 10.4 mm) or M12 connector (male, 12-pin , A-code) according to DIN EN 61076-2-101
Housing:	plastic , UV-resistant, material polyamide, 30 % glass-globe reinforced, with quick-locking screws (slotted / Phillips head combination), colour traffic white (similar to RAL 9016), cover for display is transparent!
Housing dimensions:	126 x 90 x 50 mm (Tyr 2)
Air humidity:	< 95 % RH, non-precipitating air
Protection class:	III (according to EN 60 730)
Protection type:	IP 65 (according to EN 60 529) in the built-in state
Standards:	CE conformity according to EMC Directive 2014 / 30 / EU, according to EN 61326-1, according to EN 61326-2-3
Equipment:	display with illumination , three-line, cutout approx. 70 x 40 mm (W x H), for displaying ACTUAL pressure and /or SETPOINT pressure as well as automatic zero point calibration
ACCESSORIES	see table

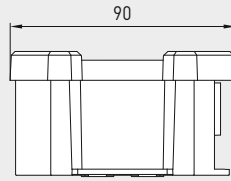
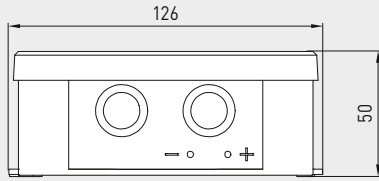
Pressure port
for pressure hose
(as standard)





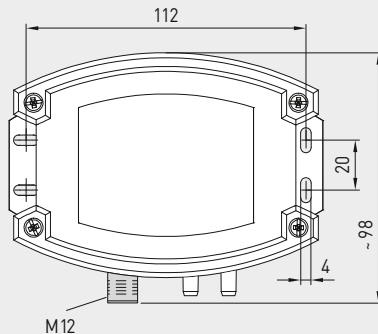
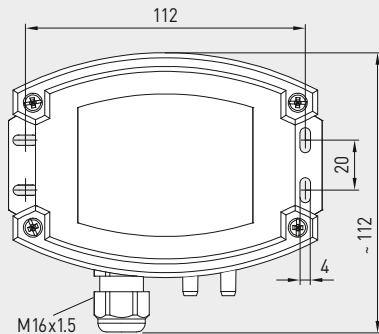
Dimensional drawing [mm]

PREMASREG® 711x



Housing with cable gland equipped as standard with pressure port nozzles

Housing with M12 connector equipped as standard with pressure port nozzles



Pressure port for pressure hose (as standard)



M12 connector (male)

PREMASREG® 711x-Q with cable gland and display



PREMASREG® 711x-Q with M12 connector and display

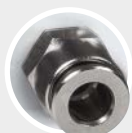
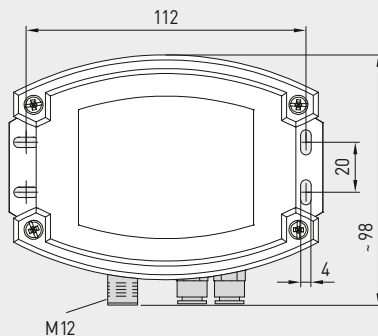
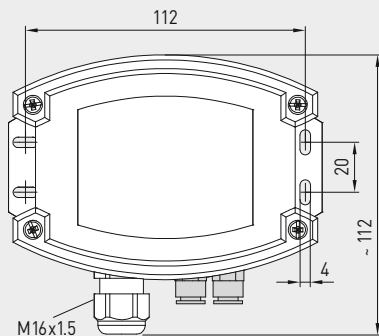


Dimensional drawing [mm]

PREMASREG® 711x

Housing with cable gland optional on request with quick connect

Housing with M12 connector optional on request with quick connect



Pressure port for PVC/fabric pressure hose (optional)

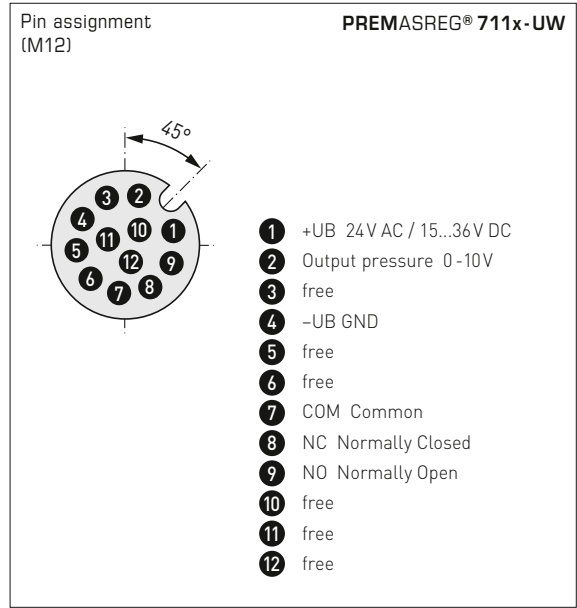
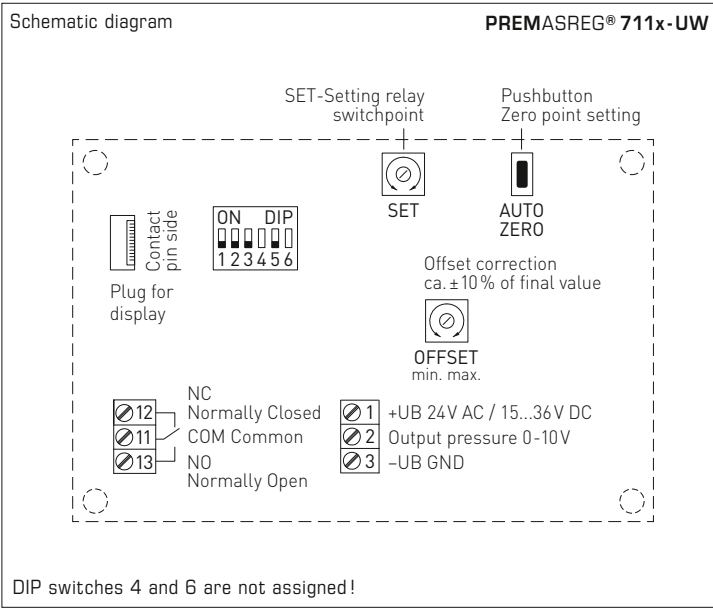


M12 connector (male)

Pressure port for PVC/fabric pressure hose (optional)



Pressure and differential pressure measuring transducers/switches,
incl. connection set, with multi-range switching
and adjustable, switching and active output



Pressure range (selectable) – max. measuring range (default) is depending to the type of device				DIP 1	DIP 2
0...100 Pa	0...1000 Pa	-100...+100 Pa	-1000...+1000 Pa	OFF	OFF
0...300 Pa	0...2000 Pa	-300...+300 Pa	-2000...+2000 Pa	ON	OFF
0...500 Pa	0...3000 Pa	-500...+500 Pa	-3000...+3000 Pa	OFF	ON
0...1000 Pa	0...5000 Pa	-1000...+1000 Pa	-5000...+5000 Pa	ON	ON

Measuring range mode (Mode selectable)	DIP 3
Unidirectional (0...+MR) (default)	OFF
Bidirectional (-MR...+MR)	ON

Measurement signal filtering (Time interval selectable)	DIP 5
10 s (default)	OFF
1 s	ON

Display with option
automatic zero point calibration



Zero point calibration active

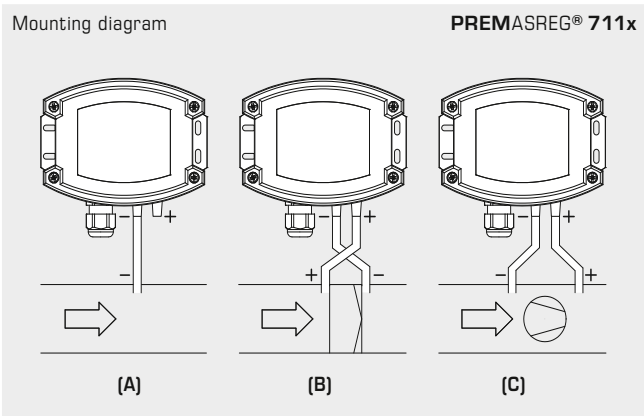
Remaining calibration time
(in seconds)

Cycle time (approx. 90 minutes)
is fixed in the factory.



Pressure and differential pressure measuring transducers/switches, incl. connection set, with multi-range switching and adjustable, switching and active output

PREMASREG® 711x-Q with display, hinged



TYPES OF MONITORING:

- (A) Below-atmospheric pressure:**
P1 (+) is not connected but open against atmosphere
P2 (-) connected to inside of duct
- (B) Filter:**
P1 (+) connected upstream of filter
P2 (-) connected downstream of filter
- (C) Ventilator:**
P1 (+) connected downstream of ventilator
P2 (-) connected upstream of ventilator

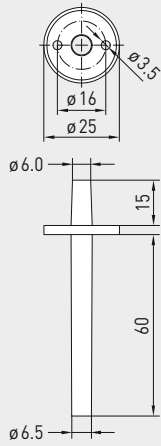
Pressure connections at the pressure switch are marked with P1 (+) for higher pressure and P2 (-) for lower pressure.

Conversion table for pressure values:

Unit =	bar	mbar	Pa	kPa	mWS
1 Pa	0,00001 bar	0,01 mbar	1 Pa	0,001 kPa	0,000101971 mWS
1 kPa	0,01 bar	10 mbar	1000 Pa	1 kPa	0,101971 mWS
1 bar	1 bar	1000 mbar	100000 Pa	100 kPa	10,1971 mWS
1 mbar	0,001 bar	1 mbar	100 Pa	0,1 kPa	0,0101971 mWS
1 mWS	0,0980665 bar	98,0665 mbar	9806,65 Pa	9,80665 kPa	1 mWS

Pressure and differential pressure measuring transducers/switches,
incl. connection set, with multi-range switching
and adjustable, switching and active output

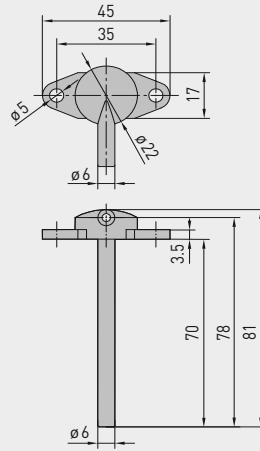
Dimensional drawing [mm] **ASD-06**



ASD-06
Connection set



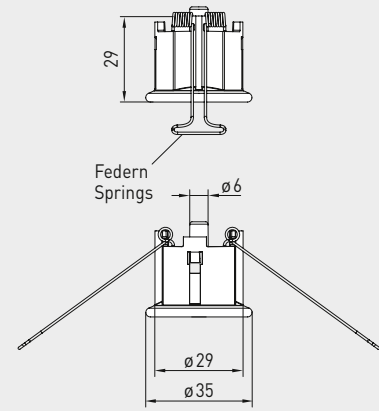
Dimensional drawing [mm] **ASD-07**



ASD-07
Connection nipple



Dimensional drawing [mm] **DAL-01**



DAL-01
Pressure outlet



WS-03
Weather and sun protection hood
(optional)

Pressure port
for pressure hose
(as standard)



Pressure port for
PVC/fabric pressure hose
(optional)



ACCESSORIES

ASD-06	Connection set (included in the scope of delivery) , consisting of 2 connection nipples (straight) made of ABS, 2 m PVC hose (soft, UV-resistant) and 4 screws	7100-0060-3000-000	7,64 €
ASD-07	2 connection nipples (at 90 degree angle) made of plastic, ABS	7100-0060-7000-000	7,64 €
DAL-01	Pressure outlet for ceiling or in-wall installation (e.g. in clean rooms)	7300-0060-3000-001	35,77 €
WS-03	Weather and sun protection hood , 200 x 180 x 150 mm, stainless steel V2A (1.4301)	7100-0040-6000-000	44,74 €

For further information, see chapter Accessories!



S+S REGELTECHNIK

PREMASREG® 711x

Pressure and differential pressure measuring transducers/switches,
incl. connection set, with multi-range switching
and adjustable, switching and active output

PREMASREG® 711x-Q
with M12 connector



PREMASREG® 711x
with cable gland



PREMASREG® 711x		Pressure and differential pressure measuring transducers/switches, <i>Deluxe</i> (with cable gland or M12 connector)			
Pressure range (adjustable)	Type/WG02	Output	Display ● = Q	Item No.	Price
max. - 1000...+ 1000 Pa		Type 7111			
0... 100 Pa / - 100... + 100 Pa	PREMASREG 7111-UW LCD	0-10V 1x Changeover contact	■	1302-7111-4011-200	240,65 €
0... 300 Pa / - 300... + 300 Pa	PREMASREG 7111-UW Q LCD	0-10V 1x Changeover contact	● ■	2004-6132-4100-001	282,59 €
0... 500 Pa / - 500... + 500 Pa					
0... 1000 Pa / -1000... + 1000 Pa					
max. - 5000...+ 5000 Pa		Type 7115			
0... 1000 Pa / - 1000... + 1000 Pa	PREMASREG 7115-UW LCD	0-10V 1x Changeover contact	■	1302-7111-4051-200	240,65 €
0...2000 Pa / -2000... + 2000 Pa	PREMASREG 7115-UW Q LCD	0-10V 1x Changeover contact	● ■	2004-6132-4100-011	282,59 €
0...3000 Pa / -3000... + 3000 Pa					
0...5000 Pa / -5000... + 5000 Pa					
Housing variant "Q":	Cable connection with M12 connector (male, 12-pin, A-code)				
Multi-range switching:	The pressure ranges depend on the device type and can be set via DIP switches.				
Extra charge:	Other special measuring ranges up to max. 5000 Pa with optional automatic zero point calibration with optional quick connect for PVC fabric pressure hose Ø 6 mm				49,83 € 72,56 € 41,94 €

**Pressure and differential pressure measuring transducers/switches,
with multi-range switching
and adjustable, switching and active output**

The electronic **PREMASREG® 711x-VA** pressure sensors and switches are equipped with eight switchable measuring ranges, one switching output, one continuous output, and a display for setting the switchpoint and to display the ACTUAL pressure (eight devices in one, plus differential pressure switch/differential pressure monitor, continuous pressure sensor in a single device).

The pressure sensor with a housing made from **stainless steel V4A**, with cable gland or M12 connector according to DIN EN 61076-2-101 and pressure port using quick connect (pipe fitting optional) is used to measure positive, negative or differential pressures in clean air, with limit value switching. The piezoresistive measuring element guarantees a high degree of reliability and accuracy.

Applications of these pressure sensors are in clean room, medical and filter technology, in ventilation and air conditioning ducts, in spray booths, in large-scale catering facilities, for filter monitoring and level measurement or for triggering frequency converters. Media measured with these pressure transducers are air (non-precipitating), or other gaseous, non-aggressive, non-combustible media.

The pressure sensor has a button for manual zero point calibration (automatic zero point calibration optional) as well as one offset potentiometer for setting the switching point and one for final value correction. The sensor is factory-calibrated; an environmental precision adjustment by an expert is possible.

TECHNICAL DATA

Power supply:	24 V AC / DC (±20 %)
Load resistance:	$R_L > 5 \text{ k}\Omega$
Power consumption:	< 1 VA / 24 V DC, < 2.2 VA / 24 V AC
Measuring ranges:	multi-range switching with 8 switchable measuring ranges (see table)
Type of pressure:	differential pressure
Pressure port:	with quick connect made from stainless steel for PVC/fabric pressure hose $\varnothing 6 \text{ mm}$ (external diameter) optionally with pipe fitting made from stainless steel V2A (1.4305) for pressure lines $\varnothing 6 \text{ mm}$
Medium:	clean air and non-aggressive, non-combustible gases
Media temperature:	-20...+50 °C
Accuracy:	Type 7111 (1000 Pa): typically $\pm 5 \text{ Pa}$ Type 7115 (5000 Pa): typically $\pm 25 \text{ Pa}$ compared to the calibrated reference device
Sum of linearity+hysteresis:	< $\pm 1 \%$ of final value
Temp. drift values:	$\pm 0.1 \%$ / °C
Zero point offset:	< $\pm 0.7 \%$ of final value
Setting increment Δp :	1 % of pressure range (100 Pa => 1 Pa; 5000 Pa => 50 Pa)
Switching hysteresis:	$\pm 1 \%$ of pressure range (100 Pa => $\pm 1 \text{ Pa}$; 5000 Pa => $\pm 50 \text{ Pa}$)
Positive/negative pressure:	max. $\pm 100 \text{ hPa}$
Signal filtering:	switchable 1 s / 10 s (via DIP switches)
Output:	0 -10 V 1 changeover contact (24 V), 1 A ohmic load
Connection type:	3-wire connection
Electrical connection:	0.14 -1.5 mm ² , via plug-in screw terminal
Cable connection:	cable gland, stainless steel V2A (1.4305) (M20 x 1.5; with strain relief, exchangeable, inner diameter 6 - 12 mm) or M12 connector (male, 12-pin , A-code) according to DIN EN 61076-2-101
Housing:	stainless steel V4A (1.4571), with non-distortion cover bolting, impact-resistant, high EMI shielding, corrosion, temperature, weather- and UV-resistant
Housing dimensions:	143 x 97 x 61 mm (Tyr2E)
Air humidity:	< 95 % RH, non-precipitating air
Protection class:	III (according to EN 60 730)
Protection type:	IP 65 (according to EN 60 529) in the built-in state Housing tested, TÜV SÜD, Report No. 713160960B (Skadi2)
Standards:	CE conformity according to EMC Directive 2014 / 30 / EU, according to EN 61326-1, according to EN 61326-2-3
Equipment:	display with illumination , three-line, cutout approx. 70 x 40 mm (W x H), for displaying ACTUAL pressure and/or SETPOINT pressure as well as automatic zero point calibration
ACCESSORIES	(see table)

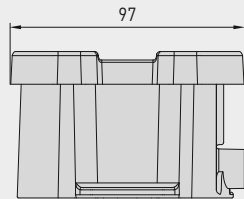
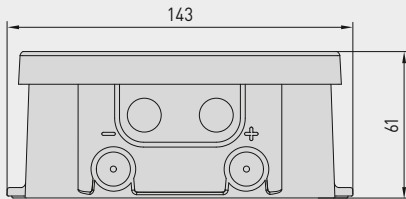
Pressure port for
PVC / fabric pressure hose
(as standard)





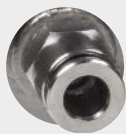
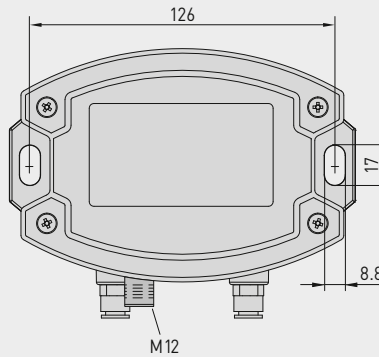
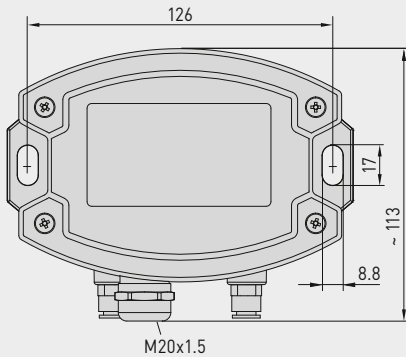
Dimensional drawing
[mm]

PREMASREG® 711x-VA

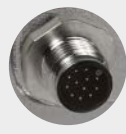


Housing with
cable gland
equipped as standard with
quick connect
for pressure hoses

Housing with
M12 connector
equipped as standard with
quick connect
for pressure hoses



Pressure port for
PVC / fabric pressure hose
(as standard)



M12 connector
(male)

PREMASREG® 711x-VA
with cable gland
and display



PREMASREG® 711x-VAQ
with M12 connector
and display

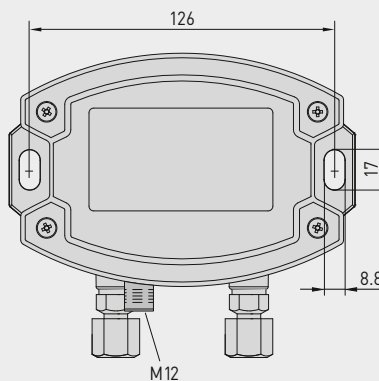
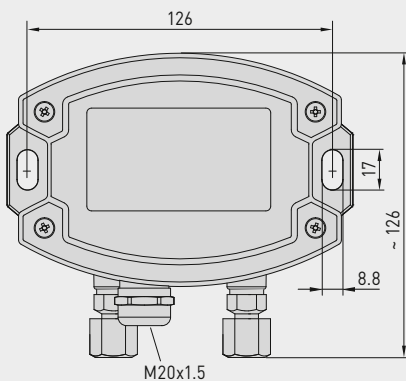


Dimensional drawing
[mm]

PREMASREG® 711x-VA

Housing with
cable gland
optional on request
with **pipe fitting**
for pressure lines

Housing with
M12 connector
optional on request
with **pipe fitting**
for pressure lines



Pressure port
for pressure lines / pipes
(optional)

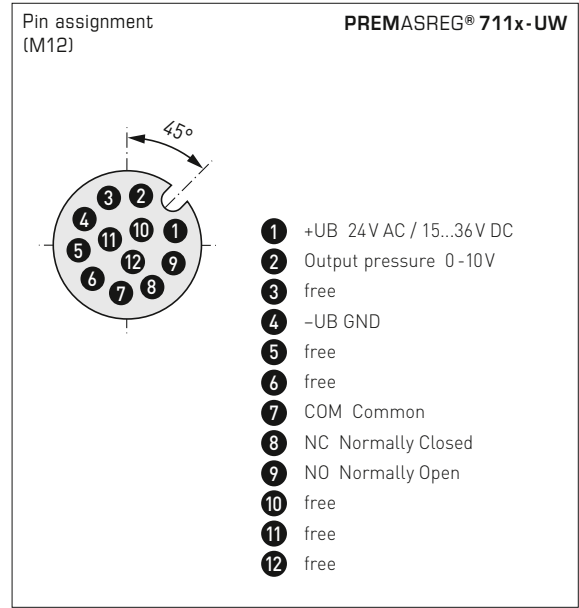
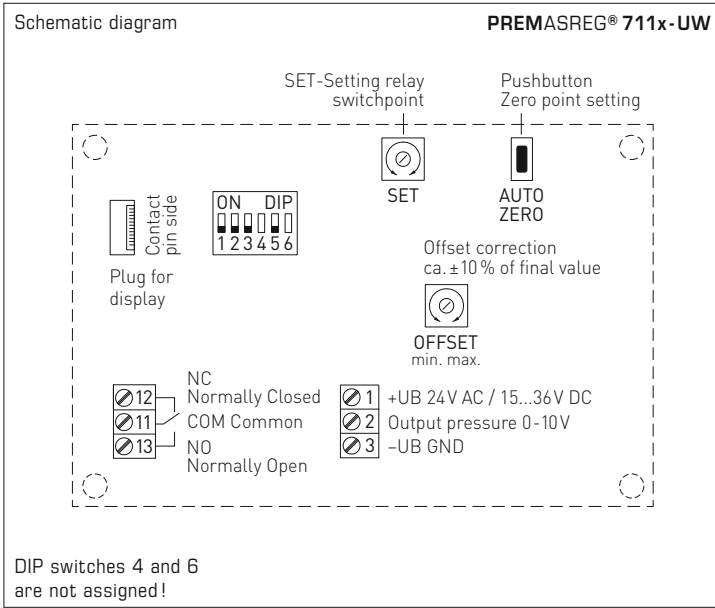


M12 connector
(male)

Pressure port
for pressure lines / pipes
(optional)



Pressure and differential pressure measuring transducers/switches,
with multi-range switching
and adjustable, switching and active output



Pressure range (selectable) – max. measuring range (default) is depending to the type of device				DIP 1	DIP 2
0...100 Pa	0...1000 Pa	-100...+100 Pa	-1000...+1000 Pa	OFF	OFF
0...300 Pa	0...2000 Pa	-300...+300 Pa	-2000...+2000 Pa	ON	OFF
0...500 Pa	0...3000 Pa	-500...+500 Pa	-3000...+3000 Pa	OFF	ON
0...1000 Pa	0...5000 Pa	-1000...+1000 Pa	-5000...+5000 Pa	ON	ON

Measuring range mode (Mode selectable)	DIP 3
Unidirectional (0...+MR) (default)	OFF
Bidirectional (-MR...+MR)	ON

Measurement signal filtering (Time interval selectable)	DIP 5
10 s (default)	OFF
1 s	ON

Display with option automatic zero point calibration



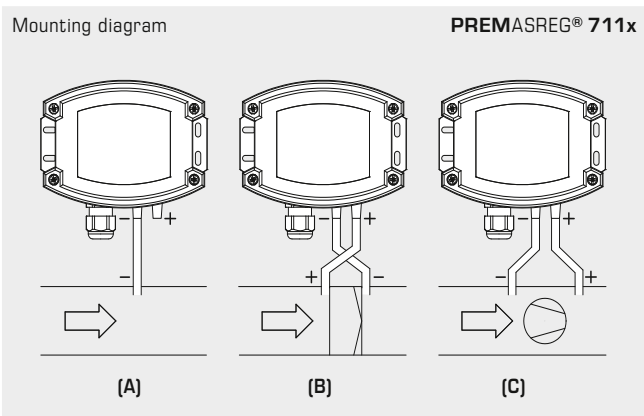
Zero point calibration active

Remaining calibration time (in seconds)

Cycle time (approx. 90 minutes) is fixed in the factory.



PREMASREG® 711x-VAQ
with display,
hinged



TYPES OF MONITORING:

- (A) Below-atmospheric pressure:**
P1 (+) is not connected
but open against atmosphere
P2 (-) connected to inside of duct
- (B) Filter:**
P1 (+) connected upstream of filter
P2 (-) connected downstream of filter
- (C) Ventilator:**
P1 (+) connected downstream of ventilator
P2 (-) connected upstream of ventilator

Pressure connections at the pressure switch are marked with P1 (+) for higher pressure and P2 (-) for lower pressure.

Conversion table for pressure values:

Unit =	bar	mbar	Pa	kPa	mWS
1 Pa	0,00001 bar	0,01 mbar	1 Pa	0,001 kPa	0,000101971 mWS
1 kPa	0,01 bar	10 mbar	1000 Pa	1 kPa	0,101971 mWS
1 bar	1 bar	1000 mbar	100000 Pa	100 kPa	10,1971 mWS
1 mbar	0,001 bar	1 mbar	100 Pa	0,1 kPa	0,0101971 mWS
1 mWS	0,0980665 bar	98,0665 mbar	9806,65 Pa	9,80665 kPa	1 mWS

Pressure and differential pressure measuring transducers/switches,
with multi-range switching
and adjustable, switching and active output

PREMASREG® 711x-VAQ
with M12 connector



PREMASREG® 711x-VAQ		Pressure and differential pressure measuring transducers/switches, <i>ID</i> (Stainless steel housing with M12 connector)			
Pressure range (adjustable)	Type / WG02I	Output	Display ● = Q	Item No.	Price
max. - 1000...+ 1000 Pa		Type 7111			
0... 100 Pa / - 100... + 100 Pa	PREMASREG 7111-UW VAQ LCD	0-10V 1x Changeover contact	● ■	2004-6192-4100-001	747,45 €
0... 300 Pa / - 300... + 300 Pa					
0... 500 Pa / - 500... + 500 Pa					
0... 1000 Pa / -1000... + 1000 Pa					
max. - 5000...+ 5000 Pa		Type 7115			
0... 1000 Pa / - 1000 ... + 1000 Pa	PREMASREG 7115-UW VAQ LCD	0-10V 1x Changeover contact	● ■	2004-6192-4100-011	747,45 €
0... 2000 Pa / -2000 ... + 2000 Pa					
0... 3000 Pa / -3000 ... + 3000 Pa					
0... 5000 Pa / -5000 ... + 5000 Pa					
Housing variant "Q":		Cable connection with M12 connector (male, 12-pin , A-code)			
Multi-range switching:		The pressure ranges depend on the device type and can be set via DIP switches.			
Extra charge:		Other special measuring ranges up to max. 5000 Pa with optional automatic zero point calibration with optional pipe fitting made from stainless steel V2A for pressure lines Ø 6 mm			49,83 € 72,56 € 41,94 €

ACCESSORIES

xx-M12 Special accessories for M12 connector

For further information, see chapter Accessories!



Pressure and differential pressure measuring transducers/switches,
with multi-range switching
and adjustable, switching and active output

PREMASREG® 711x-VA
with cable gland



PREMASREG® 711x-VA		Pressure and differential pressure measuring transducers/switches, <i>ID</i> (Stainless steel housing with cable gland)			
Pressure range (adjustable)	Type/WG02I	Output	Display	Item No.	Price
max. - 1000...+ 1000 Pa		Type 7111			
0... 100 Pa / - 100... + 100 Pa	PREMASREG 7111-UW VA LCD	0-10V 1x Changeover contact	■	2004-6192-4200-001	708,93 €
0... 300 Pa / - 300... + 300 Pa					
0... 500 Pa / - 500... + 500 Pa					
0... 1000 Pa / -1000... + 1000 Pa					
max. - 5000...+ 5000 Pa		Type 7115			
0...1000 Pa / - 1000 ... + 1000 Pa	PREMASREG 7115-UW VA LCD	0-10V 1x Changeover contact	■	2004-6192-4200-011	708,93 €
0...2000 Pa / -2000 ... +2000 Pa					
0...3000 Pa / -3000 ... +3000 Pa					
0...5000 Pa / -5000 ... +5000 Pa					
Housing variant:	Cable connection with cable gland made from stainless steel V2A (1.4305)				
Multi-range switching:	The pressure ranges depend on the device type and can be set via DIP switches.				
Extra charge:	Other special measuring ranges up to max. 5000 Pa with optional automatic zero point calibration				49,83 €
	with optional pipe fitting made from stainless steel V2A for pressure lines Ø 6 mm				72,56 €
					41,94 €



Pressure port for
PVC / fabric pressure hose
(as standard)



Pressure port for
pressure lines / pipes
(optional)

Pressure measuring transducers / switches / monitors for volume flow, differential pressure, filter monitoring and liquid level detection, incl. connection set

The electronic **PREMASREG® 716x** pressure sensor and switch is equipped with measuring functions for volume flow, differential pressure, filter monitoring and liquid level detection based on pressure measurement in clean air. The devices with a housing made from impact-resistant plastic, with cable gland or M12 connector according to DIN EN 61076-2-101 and pressure connection nozzles (quick connect optional) are fitted with one switching output, one continuous output and one backlit display for setting the switching point and displaying the ACTUAL values. The piezoresistive measuring element guarantees a high degree of reliability and accuracy.

This pressure sensor is used in clean room, medical and filter technology, in ventilation and air conditioning ducts, in spray booths, in large-scale catering facilities, for filter monitoring and level measurement or for triggering frequency converters. The medium measured is air (non-precipitating), or other gaseous, non-aggressive, non-combustible media.

It has a manual zero point pushbutton and an offset potentiometer for final value correction. Parameter entry is menu-based and is easy to perform using three buttons with the help of the display. The sensor is factory-calibrated; an environmental precision adjustment by an expert is possible. A connection set **ASD-06** (2 m connection hose, two pressure nipples, screws) is included in the scope of supply.

TECHNICAL DATA

Power supply:	24 V AC / DC ($\pm 10\%$) and 15...36 V DC
Load resistance:	$R_L > 5 \text{ k}\Omega$
Power consumption:	$< 1.5 \text{ VA} / 24 \text{ V DC}$, $< 2.8 \text{ VA} / 24 \text{ V AC}$
Measuring function:	Volume flow, differential pressure, filter monitoring, fill level (adjustable)
Measuring ranges:	10...100% (adjustable)
Type of pressure:	differential pressure
Pressure connection:	with connection nozzle for pressure hose $\varnothing 6 \text{ mm}$, optionally with quick connect made from stainless steel for PVC fabric pressure hose $\varnothing 6 \text{ mm}$ (external diameter)
Medium:	clean air and non-aggressive, non-combustible gases
Media temperature:	$-20...+50 \text{ }^\circ\text{C}$
Accuracy:	Type 7161 (1000 Pa): typically $\pm 5 \text{ Pa}$ Type 7165 (5000 Pa): typically $\pm 25 \text{ Pa}$ compared to the calibrated reference device
Sum of linearity+hysteresis:	$< \pm 1\%$ of final value (pressure)
Temp. drift values:	$\pm 0.1\% / ^\circ\text{C}$
Positive / negative pressure:	max. $\pm 10000 \text{ Pa}$
Signal hysteresis:	$\pm 1\%$ of final value (pressure) 10 Pa / 50 Pa
Signal filtering:	switchable 1 s / 10 s (via DIP switches) and small value suppression $< 1\%$
Output:	0-10 V 1 changeover contact (24 V), 1 A ohmic load
Connection type:	3-wire connection
Electrical connection:	0.14 - 1.5 mm ² , via plug-in screw terminal
Cable connection:	cable gland , plastic (M 16 x 1.5; with strain relief, exchangeable, max. inner diameter 10.4 mm) or M12 connector (male, 12-pin , A-code) according to DIN EN 61076-2-101
Housing:	plastic , UV-resistant, material polyamide, 30 % glass-globe reinforced, with quick-locking screws (slotted / Phillips head combination), colour traffic white (similar to RAL 9016), cover for display is transparent!
Housing dimensions:	126 x 90 x 50 mm (Tyr 2)
Air humidity:	$< 95\% \text{ RH}$, non-precipitating air
Protection class:	III (according to EN 60 730)
Protection type:	IP 65 (according to EN 60 529) in the built-in state
Standards:	CE conformity according to EMC Directive 2014 / 30 / EU, according to EN 61326-1, according to EN 61326-2-3
Equipment:	display with illumination , three-line, cutout approx. 70 x 40 mm (W x H), for displaying the volume flow, differential pressure, contamination degree or level and for setting the switchpoint, K factor, measuring range limits and other settings
K factor:	1 to 3000 (adjustable)
Units:	m³/s, m³/min, m³/h, l/s, l/min, l/h, %, cm (adjustable)
Max. value displayed:	999999
ACCESSORIES	see table

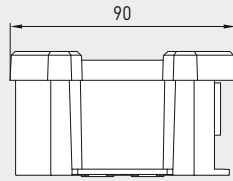
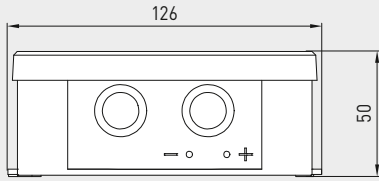
Pressure port
for pressure hose
(as standard)





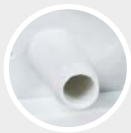
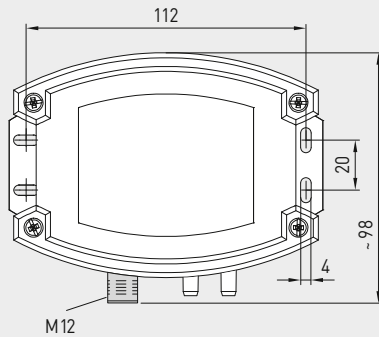
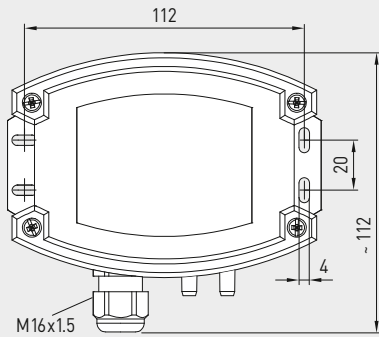
Dimensional drawing [mm]

PREMASREG® 716x



Housing with cable gland equipped as standard with pressure port nozzles

Housing with M12 connector equipped as standard with pressure port nozzles



Pressure port for pressure hose (as standard)



M12 connector (male)

PREMASREG® 716x with cable gland and display



PREMASREG® 716x-Q with M12 connector and display

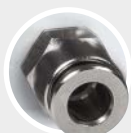
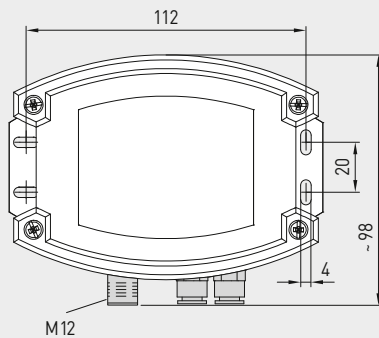
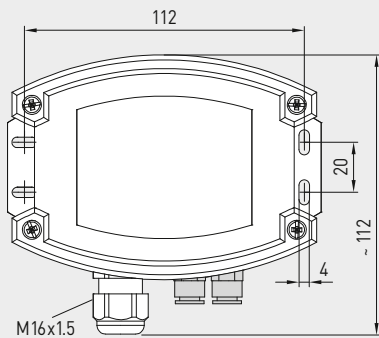


Dimensional drawing [mm]

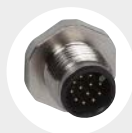
PREMASREG® 716x

Housing with cable gland optional on request with quick connect

Housing with M12 connector optional on request with quick connect



Pressure port for PVC/fabric pressure hose (optional)

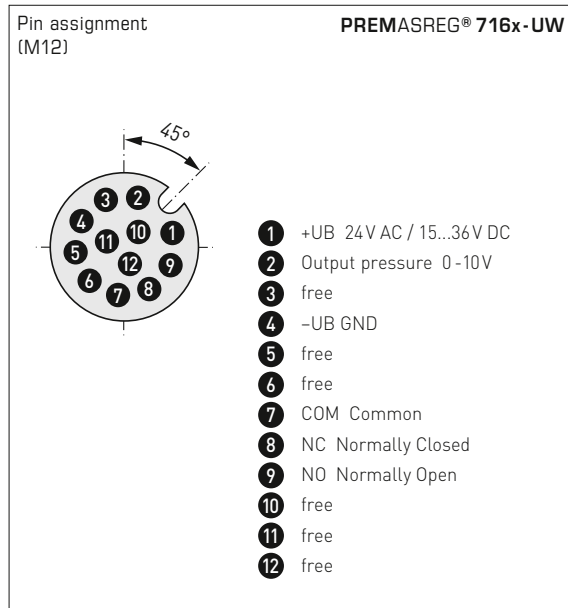
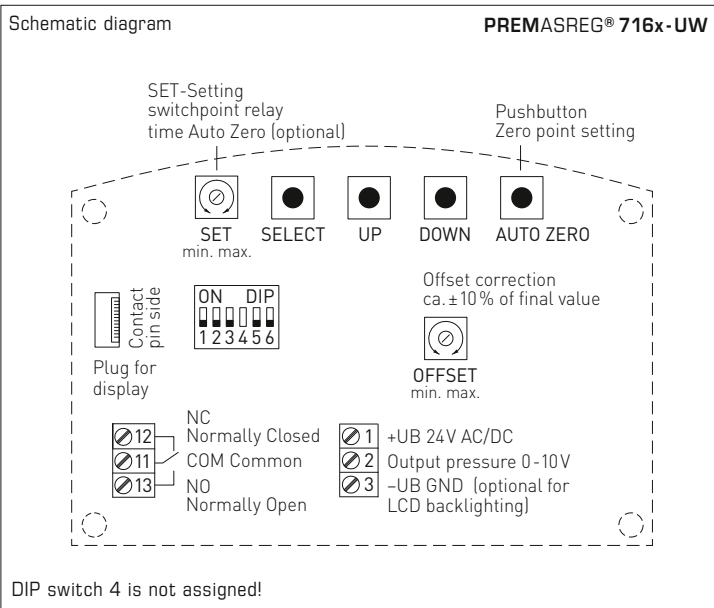


M12 connector (male)

Pressure port for PVC/fabric pressure hose (optional)



Pressure measuring transducers / switches / monitors for volume flow, differential pressure, filter monitoring and liquid level detection, incl. connection set



Measuring range mode (Mode selectable)	DIP 1
Unidirectional (0...+MR) (default)	OFF
Bidirectional (-MR...+MR)	ON

Small value suppression (measured values < 1% of end value (pressure) = 0)	DIP 2
Deactivated (default)	OFF
Active	ON

Relay (Function adjustable)	DIP 3
Deactivated (default)	OFF
Active (display shows switching point)	ON

Measurement signal filtering (Time interval selectable)	DIP 5
10s (default)	OFF
1s	ON

Service mode (display adjustable)	DIP 6
Standard (according to configuration) (default)	OFF
Service (differential pressure in Pa)	ON

PREMASREG® 716x
Function types



Volumetric flow rate

$$V = k \cdot \sqrt{\Delta p}$$

V = Volume flow in m³/h
k = K factor 1...3000
Δp = Differential pressure in Pa



Differential pressure

$$\Delta p = p_+ - p_-$$

Δp = Differential pressure in Pa
p₊ = higher pressure
p₋ = lower pressure



Filter contamination

$$S = 100\% \cdot \Delta p \div p_{Filter}$$

S = Contamination degree in %
Δp = Differential pressure in Pa
p_{Filter} = differential pressure filter replacement in Pa



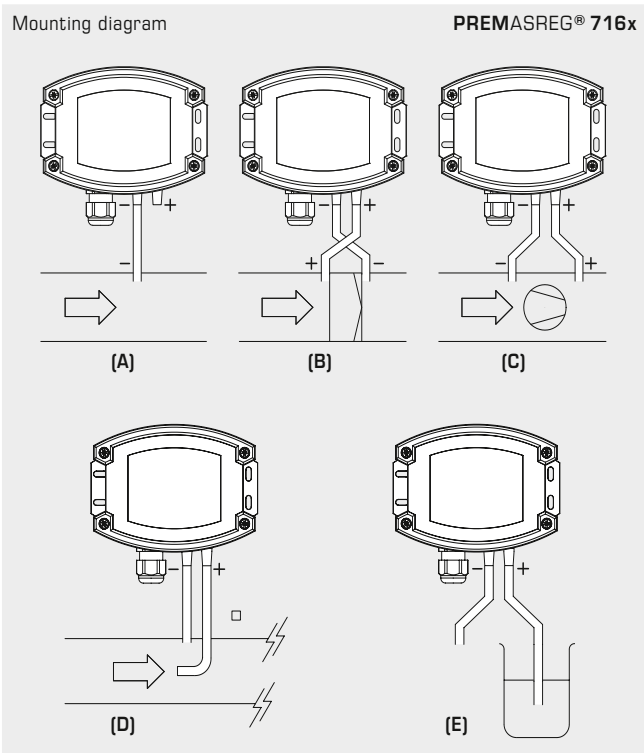
Level display

$$h = \Delta p \div (\rho \cdot g)$$

h = Fill level height in cm
Δp = Differential pressure in Pa
ρ = Density 700...1300 in kg/m³
g = 9.81 m/s²



PREMASREG® 716x-Q
with display,
hinged

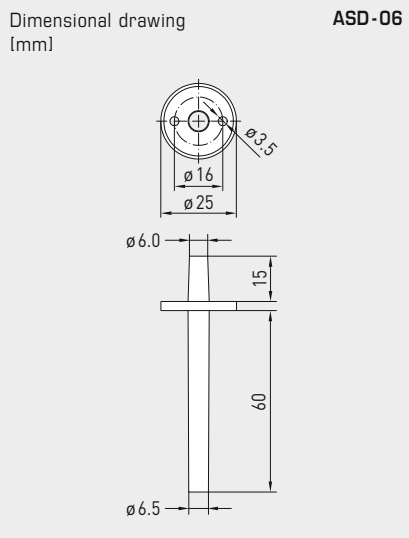


TYPES OF MONITORING:

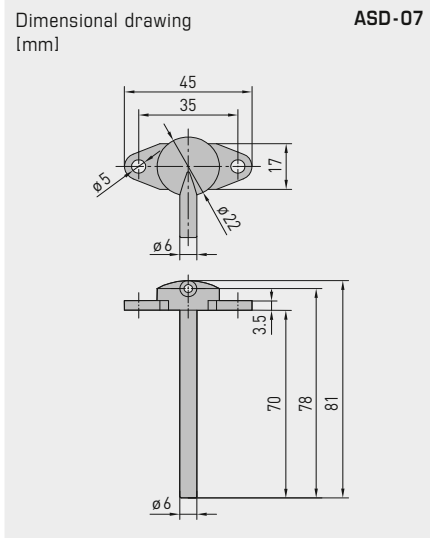
- (A) **Below-atmospheric pressure:**
P1 (+) is not connected, but open to the atmosphere
P2 (-) connected to inside of duct
 - (B) **Filter:**
P1 (+) connected upstream of filter
P2 (-) connected downstream of filter
 - (C) **Ventilator:**
P1 (+) connected downstream of ventilator
P2 (-) connected upstream of ventilator
 - (D) **Volume flow:**
P1 (+) dynamic pressure, Connected in flow direction
P2 (-) static pressure, Connected free of dynamic pressure components
 - (E) **Level:**
P1 (+) Connection submerged in medium
P2 (-) Connection is open to the atmosphere
- Pressure connections at the pressure switch are marked with P1 (+) for higher pressure and P2 (-) for lower pressure.

Conversion table for pressure values:

Unit =	bar	mbar	Pa	kPa	mWS
1 Pa	0,00001 bar	0,01 mbar	1 Pa	0,001 kPa	0,000101971 mWS
1 kPa	0,01 bar	10 mbar	1000 Pa	1 kPa	0,101971 mWS
1 bar	1 bar	1000 mbar	100000 Pa	100 kPa	10,1971 mWS
1 mbar	0,001 bar	1 mbar	100 Pa	0,1 kPa	0,0101971 mWS
1 mWS	0,0980665 bar	98,0665 mbar	9806,65 Pa	9,80665 kPa	1 mWS



ASD-06
Connection set



ASD-07
Connection nipple



WS-03
Weather and sun protection hood (optional)

Pressure port for pressure hose (as standard)



Pressure port for PVC/fabric pressure hose (optional)



ACCESSORIES

ASD-06	Connection set (included in the scope of delivery) , consisting of 2 connection nipples (straight) made of ABS, 2 m PVC hose (soft, UV-resistant) and 4 screws	7100-0060-3000-000	7,64 €
ASD-07	2 connection nipples (at 90 degree angle) made of plastic, ABS	7100-0060-7000-000	7,64 €
WS-03	Weather and sun protection hood , 200 x 180 x 150 mm, stainless steel V2A (1.4301)	7100-0040-6000-000	44,74 €

For further information, see chapter Accessories!



PREMASREG® 716x-Q
with M12 connector



PREMASREG® 716x
with cable gland



Measuring Range Pressure / Volume Flow		Type / WG02	Output	Display ● = Q	Item No.	Price
0...1000 Pa		Type 7161				
k = 3000 94800 m³/h	PREMASREG 7161-UW	LCD	0-10V 1x Changeover contact	■	1302-7161-4161-200	278,15 €
	PREMASREG 7161-UW Q	LCD	0-10V 1x Changeover contact	● ■	2004-6132-4100-021	320,06 €
0...5000 Pa		Type 7165				
k = 3000 212100 m³/h	PREMASREG 7165-UW	LCD	0-10V 1x Changeover contact	■	1302-7161-4171-200	278,15 €
	PREMASREG 7165-UW Q	LCD	0-10V 1x Changeover contact	● ■	2004-6132-4100-031	320,06 €
Housing variant "Q":		Cable connection with M12 connector (male, 12-pin , A-code)				
Multi-range switching:		The pressure ranges depend on the device type and can be set via DIP switches.				
Extra charge:		with optional quick connect for PVC fabric pressure hose Ø 6 mm				41,94 €

**Pressure measuring transducers / switches / monitors for volume flow,
differential pressure, filter monitoring and liquid level detection**

S+S REGELTECHNIK

The electronic **PREMASREG® 761x-VA** pressure sensor and switch is equipped with measuring functions for volume flow, differential pressure, filter monitoring and liquid level detection based on pressure measurement in clean air. The devices with a housing made from **stainless steel V4A**, with cable gland or M12 connector according to DIN EN 61076-2-101 and pressure port using quick connect (pipe fitting optional) are fitted with one switching output, one continuous output and a backlit display for setting the switching point and displaying the ACTUAL values. The piezoresistive measuring element guarantees a high degree of reliability and accuracy.

This pressure sensor is used in clean room, medical and filter technology, in ventilation and air conditioning ducts, in spray booths, in large-scale catering facilities, for filter monitoring and level measurement or for triggering frequency converters. The medium measured is air (non-precipitating), or other gaseous, non-aggressive, non-combustible media.

It has a manual zero point pushbutton and an offset potentiometer for final value correction. Parameter entry is menu-based and is easy to perform using three buttons with the help of the display. The sensor is factory-calibrated; an environmental precision adjustment by an expert is possible.

TECHNICAL DATA

Power supply:	24 V AC / DC ($\pm 10\%$) and 15...36 V DC
Load resistance:	$R_L > 5 \text{ k}\Omega$
Power consumption:	$< 1.5 \text{ VA} / 24 \text{ V DC}$, $< 2.8 \text{ VA} / 24 \text{ V AC}$
Measuring function:	Volume flow, differential pressure, filter monitoring, fill level (adjustable)
Measuring ranges:	10...100% (adjustable)
Type of pressure:	differential pressure
Pressure port:	with quick connect made from stainless steel for PVC / fabric pressure hose $\varnothing 6 \text{ mm}$ (external diameter) optionally with pipe fitting made from stainless steel V2A (1.4305) for pressure lines $\varnothing 6 \text{ mm}$
Medium:	clean air and non-aggressive, non-combustible gases
Media temperature:	$-20...+50 \text{ }^\circ\text{C}$
Accuracy:	Type 7161 (1000 Pa): typically $\pm 5 \text{ Pa}$ Type 7165 (5000 Pa): typically $\pm 25 \text{ Pa}$ compared to the calibrated reference device
Sum of linearity+hysteresis:	$< \pm 1\%$ of final value (pressure)
Temp. drift values:	$\pm 0.1\% / ^\circ\text{C}$
Positive / negative pressure:	max. $\pm 10000 \text{ Pa}$
Signal hysteresis:	$\pm 1\%$ of final value (pressure) 10 Pa / 50 Pa
Signal filtering:	switchable 1 s / 10 s (via DIP switches) and small value suppression $< 1\%$
Output:	0-10 V 1 changeover contact (24V), 1 A ohmic load
Connection type:	3-wire connection
Electrical connection:	0.14-1.5 mm ² , via plug-in screw terminal
Cable connection:	cable gland, stainless steel V2A (1.4305) (M20 x 1.5; with strain relief, exchangeable, inner diameter 6-12 mm) or M12 connector (male, 12-pin, A-code) according to DIN EN 61076-2-101
Housing:	stainless steel V4A (1.4571), with non-distortion cover bolting, impact-resistant, high EMI shielding, corrosion, temperature, weather- and UV-resistant
Housing dimensions:	143 x 97 x 61 mm (Tyr2E)
Air humidity:	$< 95\% \text{ RH}$, non-precipitating air
Protection class:	III (according to EN 60 730)
Protection type:	IP 65 (according to EN 60 529) in the built-in state Housing tested, TÜV SÜD, Report No. 713160960B (Skadi2)
Standards:	CE conformity according to EMC Directive 2014 / 30 / EU, according to EN 61326-1, according to EN 61326-2-3
Equipment:	display with illumination , three-line, cutout approx. 70 x 40 mm (W x H), for displaying the volume flow, differential pressure, contamination degree or level and for setting the switchpoint, K factor, measuring range limits and other settings
K factor:	1 to 3000 (adjustable)
Units:	m³/s, m³/min, m³/h, l/s, l/min, l/h, %, cm (adjustable)
Max. value displayed:	999999
ACCESSORIES	(see table)

Pressure port for
PVC / fabric pressure hose
(as standard)





Dimensional drawing [mm]

PREMASREG® 716x-VA

Housing with **cable gland**
equipped as standard with **quick connect** for pressure hoses

Housing with **M12 connector**
equipped as standard with **quick connect** for pressure hoses

M20x1.5
Pressure port for PVC / fabric pressure hose (as standard)

M12
M12 connector (male)

PREMASREG® 716x-VA
with cable gland and display



PREMASREG® 716x-VAQ
with M12 connector and display



Dimensional drawing [mm]

PREMASREG® 716x-VA

Housing with **cable gland**
optional on request with **pipe fitting** for pressure lines

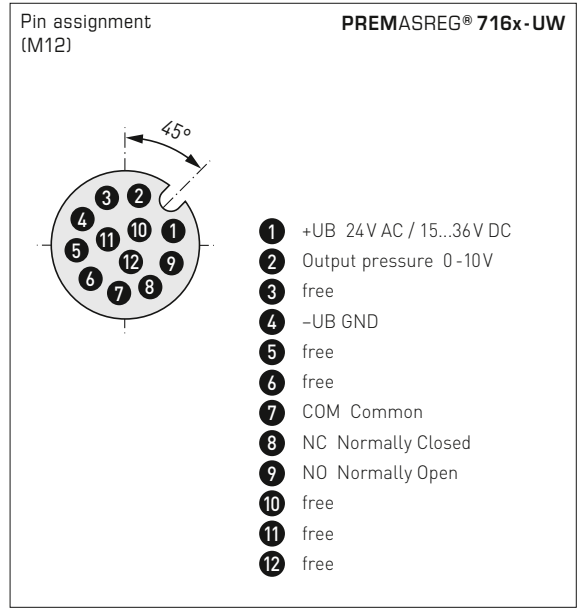
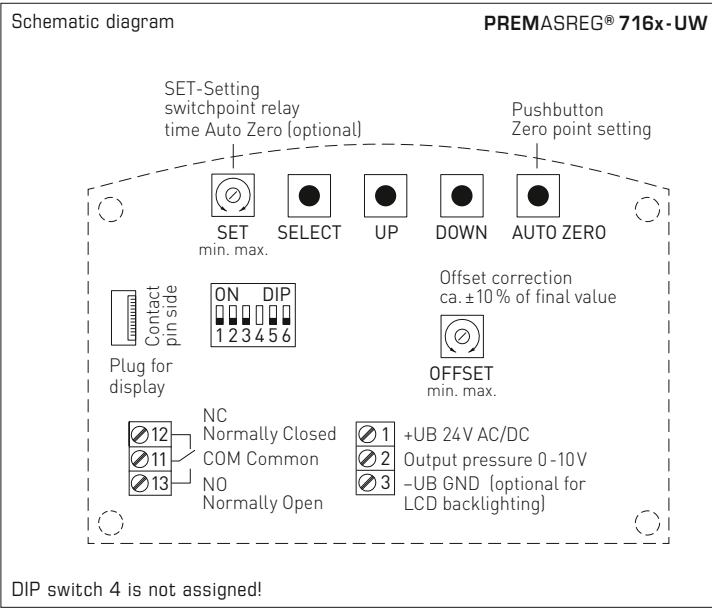
Housing with **M12 connector**
optional on request with **pipe fitting** for pressure lines

M20x1.5
Pressure port for pressure lines / pipes (optional)

M12
M12 connector (male)

Pressure port for pressure lines / pipes (optional)





Measuring range mode (Mode selectable)	DIP 1
Unidirectional (0...+MR) (default)	OFF
Bidirectional (-MR...+MR)	ON

Small value suppression (measured values < 1% of end value (pressure) = 0)	DIP 2
Deactivated (default)	OFF
Active	ON

Relay (Function adjustable)	DIP 3
Deactivated (default)	OFF
Active (display shows switching point)	ON

Measurement signal filtering (Time interval selectable)	DIP 5
10 s (default)	OFF
1 s	ON

Service mode (display adjustable)	DIP 6
Standard (according to configuration) (default)	OFF
Service (differential pressure in Pa)	ON

PREMASREG® 716x
Function types

Volumetric flow rate
 $V = k \cdot \sqrt{\Delta p}$
 V = Volume flow in m³/h
 k = K factor 1...3000
 Δp = Differential pressure in Pa

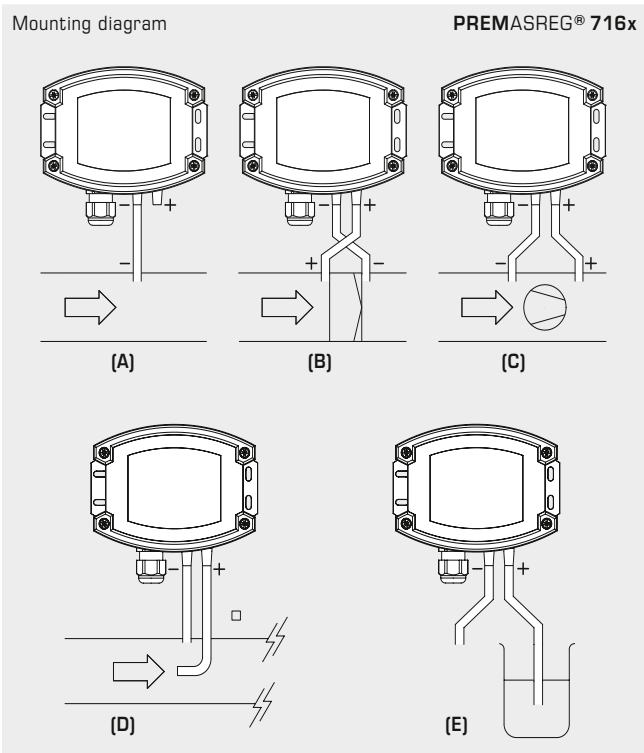
Differential pressure
 $\Delta p = p_+ - p_-$
 Δp = Differential pressure in Pa
 p₊ = higher pressure
 p₋ = lower pressure

Filter contamination
 $S = 100\% \cdot \Delta p \div p_{Filter}$
 S = Contamination degree in %
 Δp = Differential pressure in Pa
 p_{Filter} = differential pressure filter replacement in Pa

Level display
 $h = \Delta p \div (\rho \cdot g)$
 h = Fill level height in cm
 Δp = Differential pressure in Pa
 ρ = Density 700...1300 in kg/m³
 g = 9.81 m/s²



PREMASREG® 716x-VAQ
with display,
hinged



TYPES OF MONITORING:

- (A) **Below-atmospheric pressure:**
P1 (+) is not connected, but open to the atmosphere
P2 (-) connected to inside of duct
 - (B) **Filter:**
P1 (+) connected upstream of filter
P2 (-) connected downstream of filter
 - (C) **Ventilator:**
P1 (+) connected downstream of ventilator
P2 (-) connected upstream of ventilator
 - (D) **Volume flow:**
P1 (+) dynamic pressure, Connected in flow direction
P2 (-) static pressure, Connected free of dynamic pressure components
 - (E) **Level:**
P1 (+) Connection submerged in medium
P2 (-) Connection is open to the atmosphere
- Pressure connections at the pressure switch are marked with P1 (+) for higher pressure and P2 (-) for lower pressure.

Conversion table for pressure values:

Unit =	bar	mbar	Pa	kPa	mWS
1 Pa	0,00001 bar	0,01 mbar	1 Pa	0,001 kPa	0,000101971 mWS
1 kPa	0,01 bar	10 mbar	1000 Pa	1 kPa	0,101971 mWS
1 bar	1 bar	1000 mbar	100000 Pa	100 kPa	10,1971 mWS
1 mbar	0,001 bar	1 mbar	100 Pa	0,1 kPa	0,0101971 mWS
1 mWS	0,0980665 bar	98,0665 mbar	9806,65 Pa	9,80665 kPa	1 mWS

Pressure measuring transducers / switches / monitors for volume flow, differential pressure, filter monitoring and liquid level detection

S+S REGELTECHNIK

PREMASREG® 716x-VAQ
with M12 connector



Measuring Range		Type / WG02I	Output	Display	Item No.	Price
<p>PREMASREG® 716x-VAQ Pressure measuring transducers / switches / monitors for volume flow, differential pressure, filter monitoring and liquid level detection, <i>ID</i> Stainless steel housing with M12 connector</p>						
<p>Pressure / Volume Flow ● = Q</p>						
0...1000 Pa		Type 7161				
k = 3000	94800 m³/h	PREMASREG 7161-UW VAQ LCD	0-10V 1x Changeover contact	● ■	2004-6192-4100-021	803,70 €
0...5000 Pa		Type 7165				
k = 3000	212100 m³/h	PREMASREG 7165-UW VAQ LCD	0-10V 1x Changeover contact	● ■	2004-6192-4100-031	803,70 €
Housing variant "Q":		Cable connection with M12 connector (male, 12-pin , A-code)				
Multi-range switching:		The pressure ranges depend on the device type and can be set via DIP switches.				
Extra charge:		with optional pipe fitting made from stainless steel V2A for pressure lines Ø 6 mm				41,94 €

ACCESSORIES	
xx-M12	Special accessories for M12 connector
For further information, see chapter Accessories!	



PREMASREG® 716x-VA
with cable gland



PREMASREG® 716x-VA		Pressure measuring transducers / switches / monitors for volume flow, differential pressure, filter monitoring and liquid level detection, ID Stainless steel housing with cable gland			
Measuring Range Pressure / Volume Flow	Type / WG02I	Output	Display	Item No.	Price
0...1000 Pa		Type 7161			
k = 3000 94800 m³/h	PREMASREG 7161-UW VA LCD	0-10V 1x Changeover contact	■	2004-6192-4200-021	765,16 €
0...5000 Pa		Type 7165			
k = 3000 212100 m³/h	PREMASREG 7165-UW VA LCD	0-10V 1x Changeover contact	■	2004-6192-4200-031	765,16 €
Housing variant:	Cable connection with cable gland made from stainless steel V2A (1.4305)				
Multi-range switching:	The pressure ranges depend on the device type and can be set via DIP switches.				
Extra charge:	with optional pipe fitting made from stainless steel V2A for pressure lines Ø 6 mm				41,94 €



Pressure port for
PVC / fabric pressure hose
(as standard)



Pressure port for
pressure lines / pipes
(optional)

Barometers /

Measuring transducers for atmospheric pressure, calibratable, with active output

ALD

Calibratable barometer **PREMASGARD® ALD** with active output (U/I switchable) and 4 measuring ranges (max. 600...1100 hPa, switchable), in a compact plastic housing with quick-locking screws, optionally with/without display.

The pressure sensor is used for measuring atmospheric air pressure in clean air (non-precipitating) or other non-aggressive, non-combustible gases. It is used in various applications such as ventilation and air conditioning technology, in meteorological measurement stations and air-pressure-dependent control systems.

The piezoresistive measuring element is temperature-compensated and guarantees a high degree of reliability and accuracy. The sensor is factory-calibrated; an environmental precision adjustment by an expert is possible.



TECHNICAL DATA

Power supply:	24 V AC/DC (± 10%)
Working resistance:	R _a (Ohm) = 25 ...450 Ohm for I-output
Load resistance:	R _L > 25 kOhm for U-output
Power consumption:	< 1 W at 24 V DC; < 2 VA at 24 V AC
Current consumption:	< 45 mA
Measuring ranges:	multi-range switching with 4 switchable measuring ranges (see table)
Output:	switchable 0-10V / 4...20 mA (via DIP switches)
Connection type:	3-wire connection
Ambient temperature:	storage -35...+85 °C; operation -30...+75 °C, non-precipitating
Type of pressure:	atmospheric air pressure/absolute pressure
Medium:	clean air and non-aggressive, non-combustible gases
Accuracy:	typically ± 0.4 kPa compared to calibrated reference device
Zero point offset:	± 50 hPa
Positive pressure:	200 kPa
Signal filtering:	switchable 1 s / 10 s (via DIP switches)
Temperature drift:	± 0.1 % of final value per °C
Housing:	plastic, UV-resistant, polyamide material, 30 % glass-globe reinforced, with quick-locking screws (slotted / Phillips head combination), colour traffic white (similar to RAL 9016), housing cover for display is transparent!
Housing dimensions:	72 x 64 x 37.8 mm (Tyr 1 without display) 72 x 64 x 43.3 mm (Tyr 1 with display)
Cable connection:	cable gland , plastic (M 16 x 1.5; with strain relief, exchangeable, inner diameter 10.4 mm) or M12 plug-in connector (flush-type connector, 5-pin, A-coding) according to DIN EN 61076-2-101 (optional, available upon request)
Electrical connection:	0.14 - 1.5 mm ² , via screw terminals
Air humidity:	< 95 % RH, non-precipitating air
Protection class:	III (according to EN 60 730)
Protection type:	IP67 (according to EN 60 529) housing tested, TÜV SÜD, report no. 713139052 (Tyr 1)
Standards:	CE conformity, electromagnetic compatibility according to EN 61 326, EMC Directive 2014 / 30 / EU
Equipment:	display , one-line, cutout approx. 36 x 15 mm (W x H), for displaying the atmospheric air pressure/absolute pressure
ACCESSOIRES	see chapter Accessories
WS-04	weather and sun protection hood , 130 x 180 x 135 mm, stainless steel V2A (1.4301)

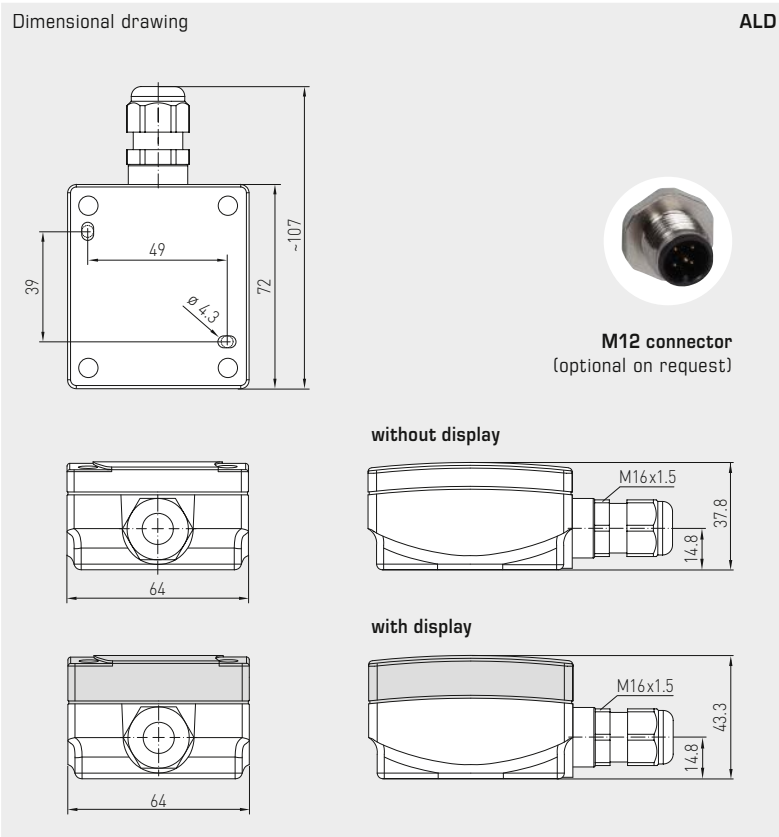
Pressure range (adjustable)	DIP 1	DIP 2
600...1100 hPa	OFF	OFF
700...1100 hPa	ON	OFF
800...1100 hPa	OFF	ON
900...1100 hPa (default)	ON	ON

Measurement signal filtering (selectable time interval)	DIP 5
10 s (default)	OFF
1 s	ON

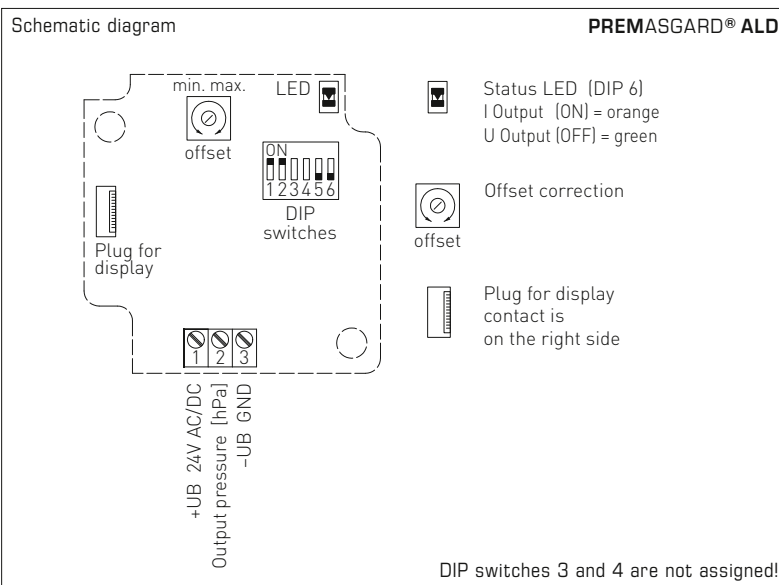
Output (selectable)	DIP 6
Voltage 0-10V (default)	OFF
Current 4...20 mA	ON

Conversion table for pressure values:

Unit =	bar	mbar	Pa	kPa	mWS
1 Pa	0,00001 bar	0,01 mbar	1 Pa	0,001 kPa	0,000101971 mWS
1 kPa	0,01 bar	10 mbar	1000 Pa	1 kPa	0,101971 mWS
1 bar	1 bar	1000 mbar	100000 Pa	100 kPa	10,1971 mWS
1 mbar	0,001 bar	1 mbar	100 Pa	0,1 kPa	0,0101971 mWS
1 mWS	0,0980665 bar	98,0665 mbar	9806,65 Pa	9,80665 kPa	1 mWS



ALD
with display



WS-04
Weather and sun protection hood
(optional)



PREMASGARD® ALD Measuring transducer for atmospheric pressure

Pressure range (adjustable)	Type / WG01	Output (switchable)	Display	Item no.	Price
max. 600...1100 hPa	ALD				
600...1100 hPa	ALD	0-10V / 4...20mA		1301-1157-0130-200	167,72 €
700...1100 hPa					
800...1100 hPa	ALD LCD	0-10V / 4...20mA	■	1301-1157-2130-200	197,79 €
900...1100 hPa					
Multi-range switching:	The pressure ranges can be set via DIP switches.				
Output:	0-10V or 4...20 mA (selectable via DIP switches)				
Optional:	Cable connection with M12 connector according to DIN EN 61076-2-101 (on request)				



**Differential pressure switches for air,
with mounting angle, incl. connection set**

The mechanical differential pressure switch / differential pressure monitor **PREMASREG® DS 1** with metal angle is used for monitoring above-atmospheric, differential, and below-atmospheric pressures of air and gaseous, non-aggressive media in air ducts, ventilation intake or exhaust devices, as a flow monitor, as a pressure difference detector or pressure monitor for flow detection at electric heating registers, for monitoring V-belts and filters, as air pressure deficiency protection, for monitoring fans and air dampers, or as a limit value controller. The switchpoint is adjusted using the internal precision scale.

These instruments are factory-calibrated. The differential pressure switch DS 1 is supplied including connection set **ASD-06** (2m connection hose, two pressure connection nipples, screws) and mounting angle **DS-MW-Z**.

DS 1
with mounting angle



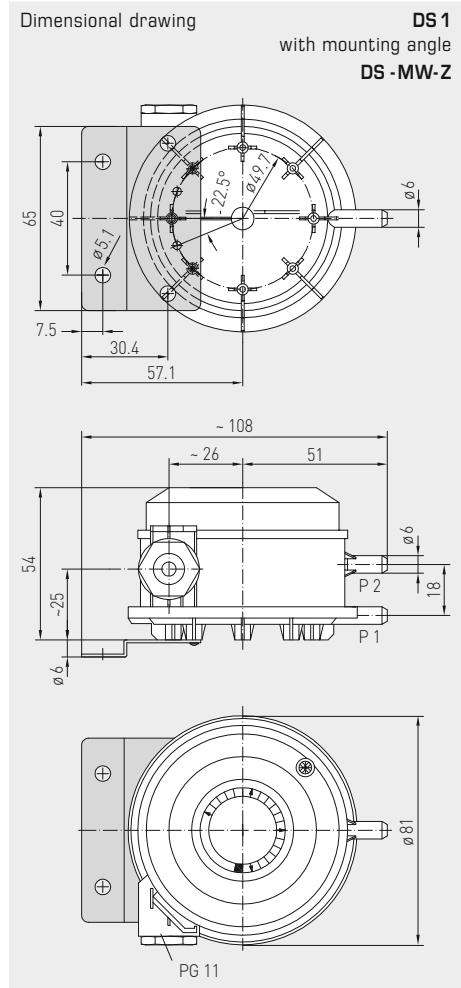
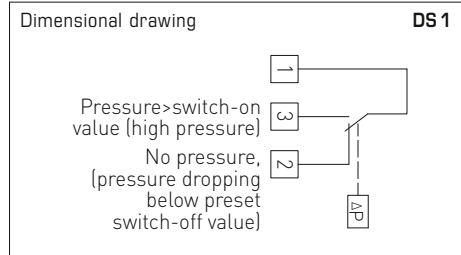
TECHNICAL DATA

Switching capacity: (Contact load)	5 (0.8) A, 250 V AC 4 (0.7) A, 30 V DC
Contact:	single-pole potential-free changeover contact, multi-layer contact, gold-plated (DDC compatible)
Pressure range:	see table, high adjustment accuracy due to individual laser-etched scale for each switch
Housing:	base: material PC (10% GF), colour light grey (similar to RAL 7035), snap-on lid: material PC, transparent, cable gland PG 11 with strain relief
Temperature of medium:	-30...+85 °C
Membrane:	silicone, LSR (Liquid Silicon Rubber, tempered at +200 °C, non-outgassing, LABS-free, no emission of varnish-adhesion inhibiting substances), long-term stability of switching points due to trapezoidal bead membranes
Humidity:	< 90% RH, non-precipitating air
Electrical connection:	0.14 - 1.5 mm ² , via terminal screws with torsion protection
Pressure connection:	with connection nozzles for pressure hose Ø 6 mm
Mounting:	with metal angle DS-MW-Z (included in the scope of delivery) (for other optional shapes, see table) Recommended mounting position: vertical (pressure connections downward) – factory setting; horizontal (cap up / down)
Protection class:	II (according to EN 60 730)
Protection type:	IP 54 (according to EN 60529) with top cover
Standards:	CE conformity, low-voltage directive 2014 / 35 / EU
Tests:	DVGW (according to DIN 1854), VDE 0630, EN 61058, directive on gas devices 2009 / 142 / EU, CE 0085 A P 0918

FUNCTION
Contact 1 - 2 breaks when pressure / differential pressure rises to the preset value.
Contact 1 - 3 closes when pressure / differential pressure drops and can be used as signal contact.

ACCESSORIES

ASD-06	Connection set (nipple straight) – (included in the scope of delivery)
DS-MW-Z	Mounting angle (included in the scope of delivery)
DS-MW-L	Mounting angle (optional)
DS1-MW-U	Mounting angle (optional), combination bracket for vertical or horizontal mounting
WS-04	Weather and sun protection hood , 130 x 180 x 135 mm, aus stainless steel V2A (1.4301)





The mechanical differential pressure switch / differential pressure monitor **PREMASREG® DS-2** with 4-hole plastic base ring is used for monitoring above-atmospheric, differential and below-atmospheric pressures of clean air and other gaseous, non-aggressive non-combustible media in air ducts, air intake or exhaust devices, as a pressure difference detector or pressure monitor for flow detection at electric heating registers, for monitoring V-belts and filters, as air pressure deficiency protection, for monitoring fans and air dampers, or as a limit value controller. The switchpoint is adjusted using the internal precision scale.

These instruments are factory-calibrated. The differential pressure switch DS 2 is supplied including connection set **ASD-06** (2 m connection hose, two pressure connection nipples, screws) and mounting ring **DS-MR-K**.

TECHNICAL DATA

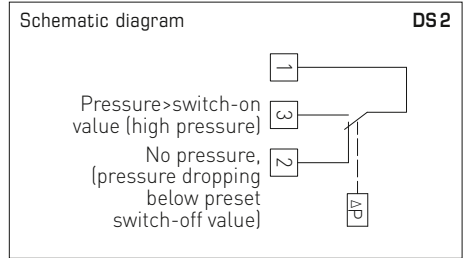
Switching capacity: (Contact load)	5 (0.8) A, 250 V AC 4 (0.7) A, 30 V DC
Contact:	single-pole potential-free changeover contact, multi-layer contact, gold-plated (DDC compatible)
Pressure range:	see table, high adjustment accuracy due to individual laser-etched scale for each switch
Housing:	base: material PC (10 % GF), colour light grey (similar to RAL 7035), snap-on lid: material PC, transparent, cable gland PG 11 with strain relief
Temperature of medium:	-30...+85 °C
Membrane:	silicone, LSR (Liquid Silicon Rubber, tempered at +200 °C, non-outgassing, LABS-free, no emission of varnish-adhesion inhibiting substances), long-term stability of switching points due to trapezoidal bead membranes
Humidity:	< 90 % RH, non-precipitating air
Electrical connection:	0.14 - 1.5 mm ² , via terminal screws with torsion protection
Pressure connection:	with connection nozzles for pressure hose Ø 6 mm
Mounting:	by 4-hole base ring, plastic (included in the scope of delivery), recommended mounting position: vertical (pressure connections downward) – factory setting, horizontal (cap up/down)
Protection class:	II (according to EN 60730)
Protection type:	IP 54 (according to EN 60529) with top cover
Standards:	CE conformity, low-voltage directive 2014 / 35 / EU
Tests:	DVGW (according to DIN 1854), VDE 0630, EN 61058, directive on gas devices 2009 / 142 / EU, CE 0085 A P 0918

FUNCTION
Contact 1 - 2 breaks when pressure / differential pressure rises to the preset value.
Contact 1 - 3 closes when pressure / differential pressure drops and can be used as signal contact.

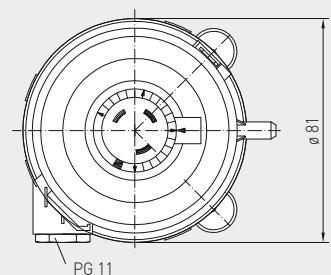
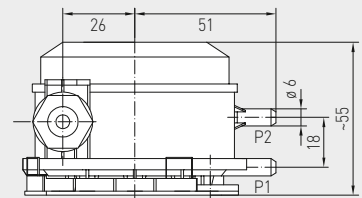
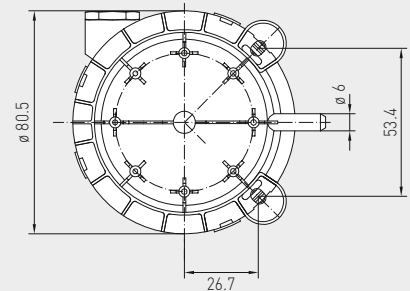
ACCESSORIES

ASD-06	Connection set (nipple straight) – (included in the scope of delivery)
DS-MR-K	Mounting ring (included in the scope of delivery)
WS-04	Weather and sun protection hood , 130 x 180 x 135 mm, aus stainless steel V2A (1.4301)

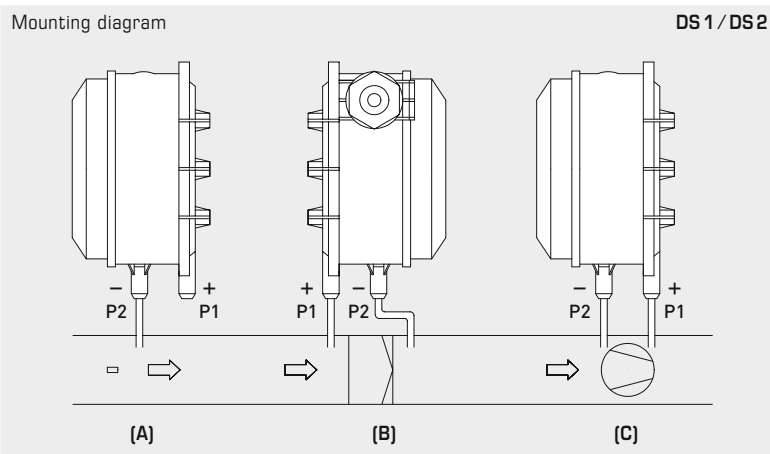
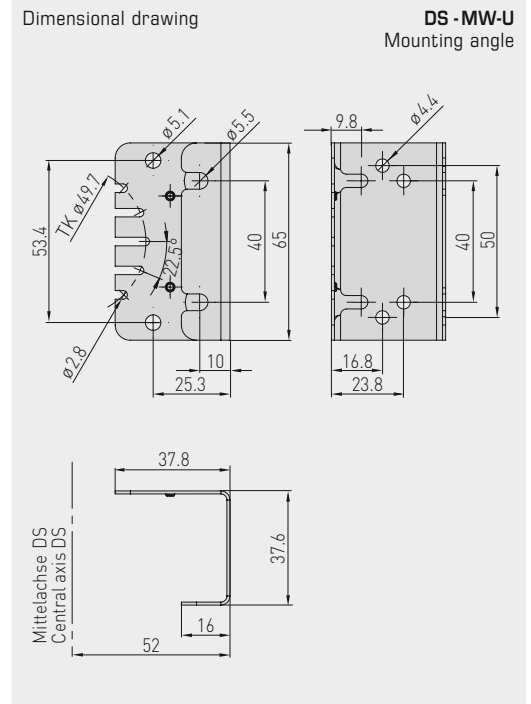
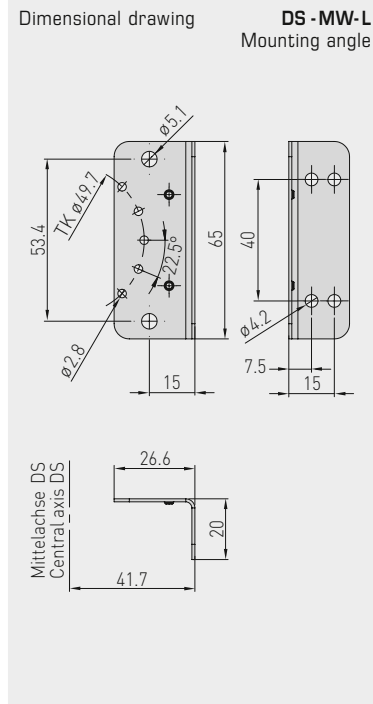
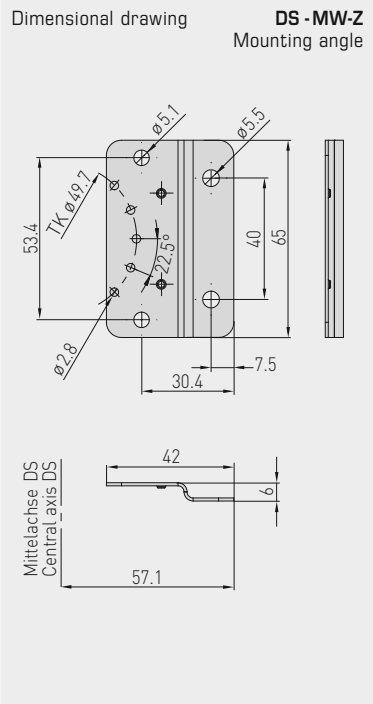
DS2
with mounting ring



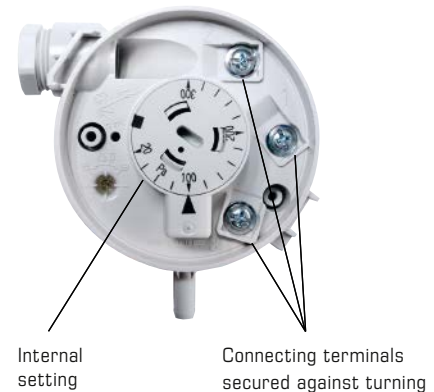
Dimensional drawing DS2
with mounting ring
DS-MR-K



Differential pressure switches for air,
including connection set



DS 1 / DS 2
Connection



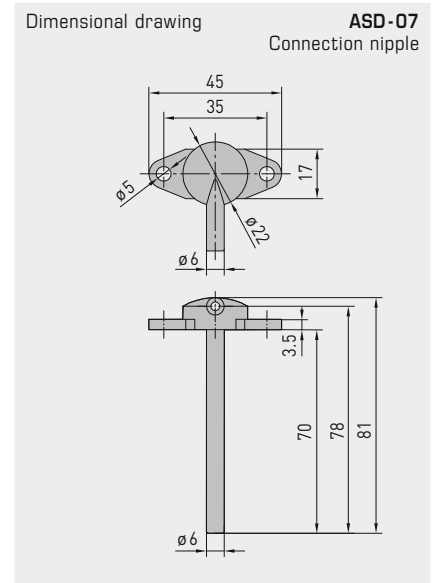
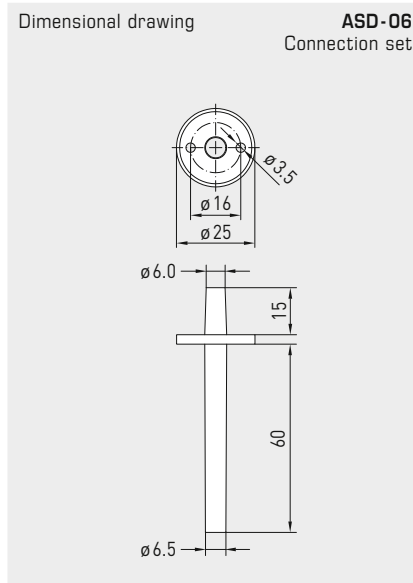
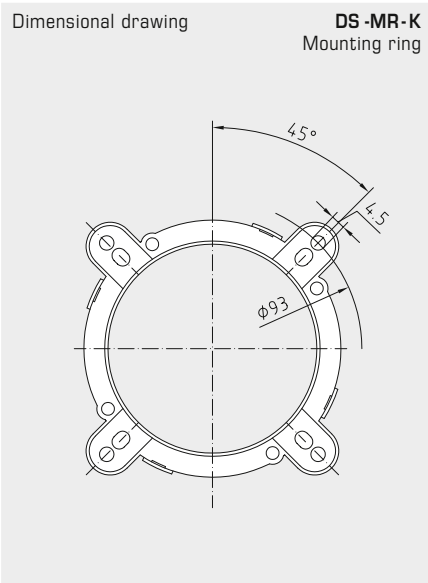
TYPES OF MONITORING:

- (A) Below-atmospheric pressure:**
P1 (+) is not connected but open against atmosphere
P2 (-) connected to inside of duct
- (B) Filter:**
P1 (+) connected upstream of filter
P2 (-) connected downstream of filter
- (C) Ventilator:**
P1 (+) connected downstream of ventilator
P2 (-) connected upstream of ventilator

Pressure connections at the pressure switch are marked with
P1 (+) for higher pressure and P2 (-) for lower pressure.

Conversion table for pressure values:

Unit =	bar	mbar	Pa	kPa	mWS
1 Pa	0.00001 bar	0.01 mbar	1 Pa	0.001 kPa	0.000101971 mWS
1 kPa	0.01 bar	10 mbar	1000 Pa	1 kPa	0.101971 mWS
1 bar	1 bar	1000 mbar	100000 Pa	100 kPa	10.1971 mWS
1 mbar	0.001 bar	1 mbar	100 Pa	0.1 kPa	0.0101971 mWS
1 mWS	0.0980665 bar	98.0665 mbar	9806.65 Pa	9.80665 kPa	1 mWS



PREMASREG® DS 1 Differential pressure switches with mounting angle, *Premium*
PREMASREG® DS 2 Differential pressure switches with mounting ring, *Standard*

Type	Pressure range (adjustable)	Operating Difference approx.	Max. Pressure	Item No.	Price
DS 1 / WG02	<i>Premium</i>			with mounting angle DS-MW-Z	
DS-106	20... 300 Pa (0.2...3.0 mbar)	0.1 mbar ± 15%	5000 Pa (50 mbar)	1302-4011-0000-000	53,20 €
DS-106 A	50... 500 Pa (0.5...5.0 mbar)	0.2 mbar ± 15%	5000 Pa (50 mbar)	1302-4012-0000-000	53,20 €
DS-106 B	100... 1000 Pa (1.0...10.0 mbar)	0.4 mbar ± 15%	5000 Pa (50 mbar)	1302-4013-0000-000	53,20 €
DS-106 C	500...2000 Pa (5.0...20.0 mbar)	1.0 mbar ± 15%	5000 Pa (50 mbar)	1302-4014-0000-000	53,20 €
DS-106 D	1000...5000 Pa (10.0...50.0 mbar)	2.5 mbar ± 15%	7500 Pa (75 mbar)	1302-4015-0000-000	53,20 €
DS 2 / WG03B	<i>Standard</i>			with mounting ring DS-MR-K	
DS-205 F	20... 300 Pa (0.2...3.0 mbar)	0.1 mbar ± 15%	5000 Pa (50 mbar)	1302-4026-0000-000	35,11 €
DS-205 B	50... 500 Pa (0.5...5.0 mbar)	0.2 mbar ± 15%	5000 Pa (50 mbar)	1302-4022-0000-000	35,11 €
DS-205 D	100... 1000 Pa (1.0...10.0 mbar)	0.4 mbar ± 15%	5000 Pa (50 mbar)	1302-4027-0000-000	35,11 €
DS-205 E	500...2000 Pa (5.0...20.0 mbar)	1.0 mbar ± 15%	5000 Pa (50 mbar)	1302-4028-0000-000	35,11 €
ACCESSORIES					
DS-MW-Z	Sheet steel mounting angle in Z-form (DS 1: included in the scope of delivery)			7100-0063-0000-000	13,36 €
DS-MW-L	Sheet steel mounting angle in L-form			7100-0063-1000-000	13,67 €
DS-MW-U	Sheet steel mounting angle in U-form			7100-0060-9000-000	16,81 €
ASD-06	Connection set (included in the scope of delivery), consisting of 2 connection nipples (straight) made of ABS, 2 m PVC hose (soft, UV-resistant) and 4 screws			7100-0060-3000-000	7,64 €
ASD-07	2 connection nipples (at 90 degree angle) made of plastic, ABS			7100-0060-7000-000	7,64 €
WS-04	Weather and sun protection hood, 130 x 180 x 135 mm, stainless steel V2A (1.4301)			7100-0040-7000-000	37,49 €

For further information, see last chapter Accessories!

Pressure measuring transducers, incl. DIN plug-in connectors, with active output

The pressure sensor **PREMASGARD® SHD-SD** is used for measuring relative pressures (min. 0...6 bar / max. 0...16 bar) in gaseous and liquid media. **Not suitable for ammonia and freon!**

The pressure sensor **PREMASGARD® SHD** is used for measuring relative pressures (min. 0...1 bar / max. 0...40 bar) in gaseous and liquid media. The pressure measuring cell is welded to the pressure sensors without a gasket.

The pressure measuring transducer converts the measurand into a standard signal of 0-10 V or 4...20 mA. Process connection is G 1/2". This pressure transmitter is used in hydraulics, pneumatics, process technology, in mechanical and plant engineering.

SHD xx
with display



TECHNICAL DATA

Power supply:	24 V AC / DC for output 0-10 V 7-33 V DC for output 4...20 mA
Measuring ranges:	see table (other ranges upon request)
Output:	0-10 V, 3-wire, (working resistance > 10 kOhm) or 4...20 mA, 2-wire, (working resistance < (UB (V) - 7 V) / 0,02 A; R _L depending on working resistance
Electrical connection:	0.25 - 1.5 mm ² , via plug-in connector DIN EN 175301-803-A (included in the scope of delivery)
Pressure connection:	G 1/2" sealing at the back
Type of pressure:	relative
Medium:	liquid and gaseous
Response time:	2 ms (1 ms typical)
Characteristic line:	± 0.3%
Mounting:	directly on pressure line
Housing:	stainless steel V2A (1.4305)
Connecting head:	plastic, approx. 98 x 50 x 34 mm

SHD-SD

Measuring principle:	ceramic measuring cell
Temperature of medium:	-15...+125 °C
Medium contacting parts:	stainless steel V2A (1.4305); measuring element ceramic Al ₂ O ₃ (96%); sealing material FPM (Viton)
Load changes:	< 100 Hz
Overload range / Bursting pressure:	< 4 bar: 3 x FS > 4 bar: 2.5 x FS

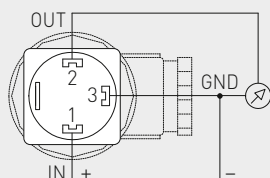
SHD

Measuring principle:	steel measuring cell
Temperature of medium:	-40...+135 °C
Medium contacting parts:	stainless steel V2A (1.4305)
Overload range:	< 6 bar: 5 x of final valu > 6 bar: 3 x of final valu (max. 1500 bar)
Bursting pressure:	< 6 bar: 10 x of final valu > 6 bar: 6 x of final valu (max. 2500 bar)
Protection class:	III (according to EN 60 730)
Protection type:	IP 65 (according to EN 60 529)
Standards:	CE conformity, electromagnetic compatibility according to EN 61 326, EMC directive 2014 / 30 / EU
Tests:	Drinking water approval according to NSF/ANSI 61/372, UL-certified according to ANSI/UL 61010-1
Optional:	with display module , made of plastic, polyamide material, black colour, LCD display rotatable and tiltable, for displaying the pressure (in bar, other units available upon request)

Connecting diagram

SHD xx-U

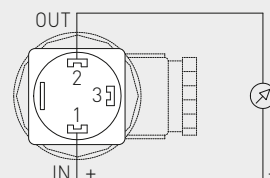
- 2 Output pressure 0-10V
- 3 GND
- 1 Supply voltage UB+ 24V AC/DC



Connecting diagram

SHD xx-I

- 2 Output pressure 4...20mA
- 3 Free
- 1 Supply voltage UB+ 24V DC





NEW

S+S REGELTECHNIK

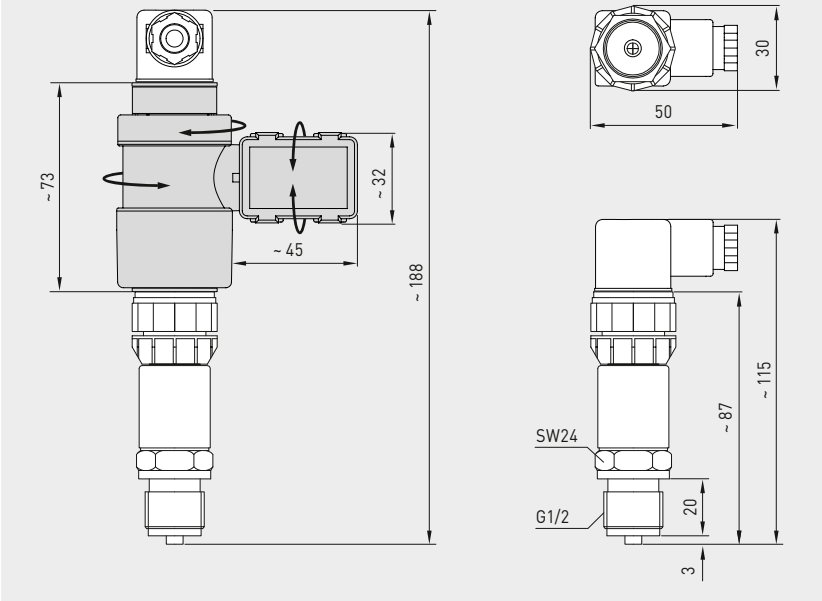
PREMASGARD® SHD-SD
PREMASGARD® SHD

Pressure measuring transducers, incl. DIN plug-in connectors,
with active output

Dimensional drawing
[mm]

SHD xx

SHD xx
without display



PREMASGARD® SHD-SD Pressure measuring transducer, *Standard* or gaseous and liquid media

Measuring Range	Type / WG01	Display	Item No.		Price
			Output 0-10V	Output 4...20mA	
	SHD-SD-x = U / I		U-variant	I-variant	
0... 6 bar	SHD-SD-x 6		1301-2121-0550-120	1301-2122-0550-000	129,85 €
	SHD-SD-x 6 LCD	■	1301-2121-1550-120	1301-2122-1550-000	404,97 €
0... 10 bar	SHD-SD-x 10		1301-2121-0560-120	1301-2122-0560-000	129,85 €
	SHD-SD-x 10 LCD	■	1301-2121-1560-120	1301-2122-1560-000	404,97 €
0... 16 bar	SHD-SD-x 16		1301-2121-0570-120	1301-2122-0570-000	129,85 €
	SHD-SD-x 16 LCD	■	1301-2121-1570-120	1301-2122-1570-000	404,97 €
Note:	Not suitable for ammonia and freon!				

PREMASGARD® SHD Pressure measuring transducer, *Premium* for gaseous and liquid media

Measuring Range	Type / WG01	Display	Item No.		Price
			Output 0-10V	Output 4...20mA	
	SHD-x = U / I		U-variant	I-variant	
0... 1 bar	SHD-x 1		1301-2111-0520-220	1301-2112-0520-120	214,50 €
	SHD-x 1 LCD	■	1301-2111-1520-220	1301-2112-1520-120	489,63 €
0... 2,5 bar	SHD-x 2,5		1301-2111-0530-220	1301-2112-0530-120	214,50 €
	SHD-x 2,5 LCD	■	1301-2111-1530-220	1301-2112-1530-120	489,63 €
0... 6 bar	SHD-x 6		1301-2111-0550-220	1301-2112-0550-120	155,31 €
	SHD-x 6 LCD	■	1301-2111-1550-220	1301-2112-1550-120	430,43 €
0... 10 bar	SHD-x 10		1301-2111-0560-220	1301-2112-0560-120	155,31 €
	SHD-x 10 LCD	■	1301-2111-1560-220	1301-2112-1560-120	430,43 €
0... 16 bar	SHD-x 16		1301-2111-0570-220	1301-2112-0570-120	155,31 €
	SHD-x 16 LCD	■	1301-2111-1570-220	1301-2112-1570-120	430,43 €
0... 25 bar	SHD-x 25		1301-2111-0580-220	1301-2112-0580-120	214,50 €
	SHD-x 25 LCD	■	1301-2111-1580-220	1301-2112-1580-120	489,63 €
0... 40 bar	SHD-x 40		1301-2111-0590-220	1301-2112-0590-120	214,50 €
	SHD-x 40 LCD	■	1301-2111-1590-220	1301-2112-1590-120	489,63 €

Pressure measuring transducers,
incl. DIN plug-in connectors and mounting angle,
with active output

The pressure sensor / differential pressure sensor **PREMASGARD® SHD-692** is used for pressure measurement in gaseous and liquid media. It converts the measurand into standard signals of 0-10 V or 4...20 mA. Process connection is 2 x G 1/8" - 27 NPT internal thread. SHD-692 differential pressure transmitters are used in piping and hydraulic systems, in mechanical and plant engineering as well as in building automation.

SHD 692
with display

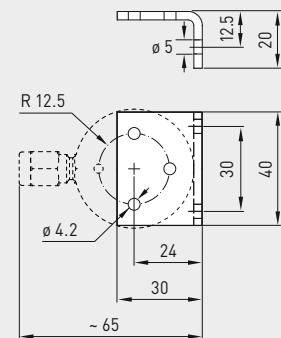
Not applicable for ammonia and Freon!



TECHNICAL DATA

Power supply:	24 V AC (+15% / -10%), 18 - 33V DC for U-variant 24 V DC (± 20%) for I-variant
Measuring ranges:	see table
Output:	0-10 V (3-wire connection) or 4...20 mA (2-wire connection)
Permissible working resistance: (at nominal voltage)	$R_L > 10 \text{ k}\Omega$ for U-variant $R_L < 600 \Omega$ for I-variant
Electrical connection:	0.25 - 1.5 mm ² , via plug-in connector DIN EN 175301-803-A (included in the scope of delivery)
Pressure connection:	screw pipe connection for 6 mm pipe (G 1/8" - 27 NPT internal thread)
Type of pressure:	differential pressure
Measuring principle:	ceramic measuring cell
Medium:	liquid or gaseous
Temperature of medium:	-15...+80 °C
Housing:	stainless steel V2A (1.4305)
Mounting:	by mounting angle (included in the scope of delivery), installation arbitrary
Medium contacting parts:	INOX (1.4305), ceramics, sealing material EPDM
Response time:	< 5 ms
Class:	0.5%
Total error:	< 1.3%
Overload range:	see table (one-sided max. pressure)
System pressure:	max. 25 bar (P1 + P2)
Bursting pressure:	1.5 x system pressure
Insulating resistance:	≥ 100 MΩ, at +20 °C (500 V DC)
Protection class:	III (according to EN 60 730)
Protection type:	IP 65 (according to EN 60 529)
Standards:	CE conformity, electromagnetic compatibility according to EN 61 326, EMC directive 2014 / 30 / EU
Optional:	with display module , made of plastic, polyamide material, black colour, LCD display rotatable and tiltable, for displaying the pressure (in bar, other units available upon request)

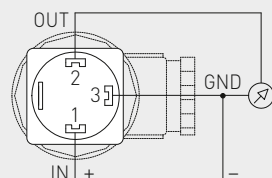
Dimensional drawing **SHD 692**
[mm] Mounting angle



Connecting diagram

SHD 692-U

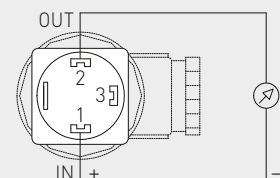
- 2 Output pressure 0-10V
- 3 GND
- 1 Supply voltage UB+ 24V AC / 18-33V DC



Connecting diagram

SHD 692-I

- 2 Output pressure 4...20mA
- 3 Free
- 1 Supply voltage UB+ 24V DC





NEW

S+S REGELTECHNIK

PREMASGARD® SHD 692

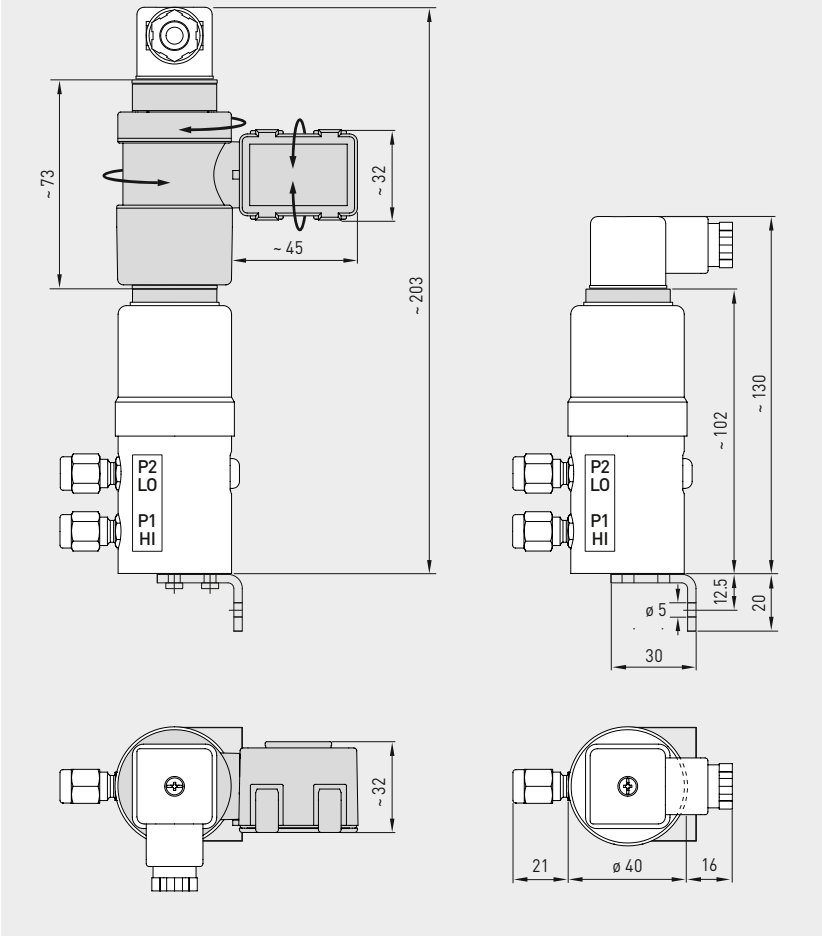
Pressure measuring transducers,
incl. DIN plug-in connectors and mounting angle,
with active output



Dimensional drawing
[mm]

SHD 692

SHD 692
without display



PREMASGARD® SHD 692 Pressure measuring transducers, *Deluxe* or gaseous and liquid media

Measuring Range	One-Sided max. pressure	Typd / WG02	Display	Item No. Output 0-10V	Item No. Output 4...20mA	Price
		SHD 692-x = U / I		U - variant	I - variant	
0...0,1 bar	0,6 bar	SHD 692-x-900		1301-4121-0500-000	1301-4122-0500-000	352,80 €
		SHD 692-x-900-LCD	■	1301-4121-1500-000	1301-4122-1500-000	627,92 €
0...0,5 bar	3 bar	SHD 692-x-907		1301-4121-0510-000	1301-4122-0510-000	352,80 €
		SHD 692-x-907-LCD	■	1301-4121-1510-000	1301-4122-1510-000	627,92 €
0... 1 bar	5 bar	SHD 692-x-912		1301-4121-0520-000	1301-4122-0520-000	352,80 €
		SHD 692-x-912-LCD	■	1301-4121-1520-000	1301-4122-1520-000	627,92 €
0...2,5 bar	12 bar	SHD 692-x-916		1301-4121-0530-000	1301-4122-0530-000	352,80 €
		SHD 692-x-916-LCD	■	1301-4121-1530-000	1301-4122-1530-000	627,92 €
0... 4 bar	12 bar	SHD 692-x-918		1301-4121-0540-000	1301-4122-0540-000	352,80 €
		SHD 692-x-918-LCD	■	1301-4121-1540-000	1301-4122-1540-000	627,92 €
0... 6 bar	12 bar	SHD 692-x-919		1301-4121-0550-000	1301-4122-0550-000	352,80 €
		SHD 692-x-919-LCD	■	1301-4121-1550-000	1301-4122-1550-000	627,92 €
0... 10 bar	20 bar	SHD 692-x-930		1301-4121-0560-000	1301-4122-0560-000	352,80 €
		SHD 692-x-930-LCD	■	1301-4121-1560-000	1301-4122-1560-000	627,92 €

Note: Not suitable for ammonia and freon!

