



T 5869 EN

Single-seated Type 3213 Globe Valve, unbalanced Single-seated Type 3214 Globe Valve, balanced

Electric Control Valves with safety function, tested according to DIN EN 14597
Types 3213/5825, 3213/5827-A, 3213/5725-3, 3213/5725-8 and 3214/5825,
3214/5827-A, 3214/3374, 3214/3274, 3214/5725-3, 3214/5725-8



Application

Globe valves mounted on electric actuators with safety function to protect heating systems against excess temperatures or pressures · Suitable for water and steam

DN 15 to 250 · PN 16 to 40 · Temperatures up to 220 °C

The control valves consist of a globe valve and an electric actuator with safety function. The control valves can take on the task of a shut-off valve within safety interlock circuits triggered by the signal of a temperature or pressure limiting device or upon power supply failure.

The control valves are tested by the German Technical Inspectorate (TÜV) according to DIN EN 14597 and have been defined as shut-off and control devices.

Versions tested according to DIN EN 14597

- With **Type 3213 Globe Valve** · Unbalanced

Electric control valves		
Type 3213/5825 ¹⁾	PN 25	DN 15 to 25
	PN 16	DN 32 to 50
Type 3213/5827-A	PN 25	DN 15 to 25
	PN 16	DN 32 to 50
Electric control valve with electric actuator with process controller for domestic hot water heating		
Type 3213/5725-3	PN 25	DN 15 to 25
	PN 16	DN 32 to 50
Electric control valve with electric actuator with process controller for heating and cooling applications		
Type 3213/5725-8	PN 25	DN 15 to 25
	PN 16	DN 32 to 50

- With **Type 3214 Globe Valve** balanced by a corrosion-resistant metal bellows

Electric control valves		
Type 3214/5825 ¹⁾	PN 16 to 40	DN 15 to 50
Type 3214/5827-A	PN 16 to 40	DN 15 to 50
Type 3214/3374	PN 16 to 40	DN 65 to 100
Type 3214/3274	PN 16 to 40	DN 125 to 250

¹⁾ The product will be discontinued in the near future. See Data Sheet ▶ T 5827 for replacement device.

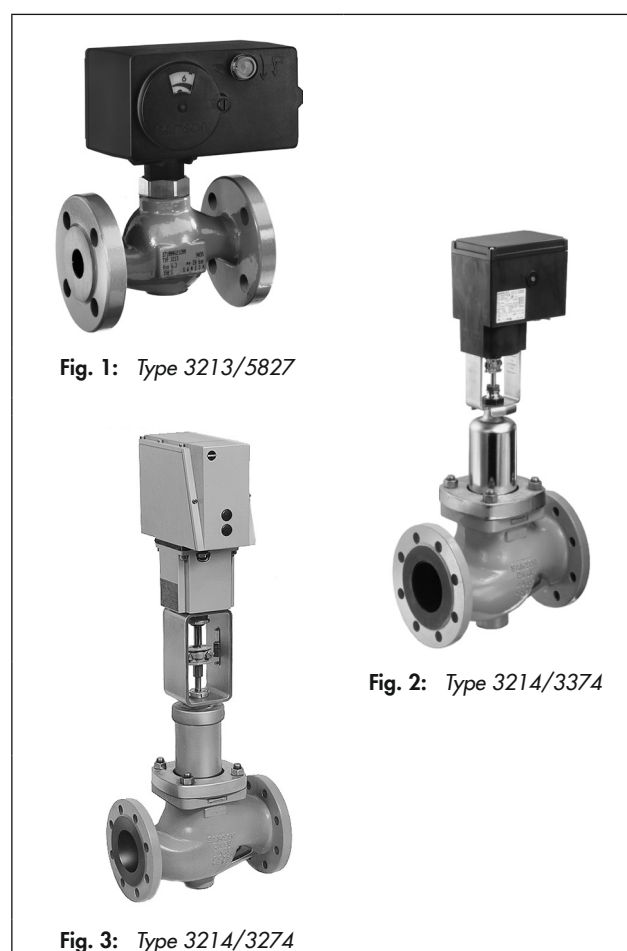


Fig. 1: Type 3213/5827

Fig. 2: Type 3214/3374

Fig. 3: Type 3214/3274

Electric control valve with electric actuator with process controller for domestic hot water heating		
Type 3214/5725-3	PN 16 to 40	DN 15 to 50
Electric control valve with electric actuator with process controller for heating and cooling applications		
Type 3214/5725-8	PN 16 to 40	DN 15 to 50

Register number

The actuators with fail-safe action in conjunction with the listed valves are tested by the German Technical Inspectorate (TÜV) according to DIN EN 14597. The register number is available on request.

Also available: Type 3213 and Type 3214 Globe Valves with electric or pneumatic actuators (not tested according to DIN EN 14597), see Data Sheet ▶ T 5868

Principle of operation (Fig. 5)

A safety mechanism in the actuator is triggered when the supply voltage fails or the control signal is interrupted by the limitation equipment due to the temperature or pressure exceeding the adjusted limit. As a result, the valve is closed by the force of the compression springs in the actuator.

The medium flows through the single-seated globe valve in the direction indicated by the arrow. The cross-sectional area of flow between the seat (2) and plug (3) is determined by the position of the plug stem.

The Type 3214 Valve is balanced. The pressure upstream of the plug is transferred through a hole in the plug stem (4) and acts on the outside of the balancing bellows, whereas the pressure downstream of the plug acts on the inside of the bellows. As a result, the forces created by the differential pressure that act on the plug are eliminated. The Type 3214 Globe Valve can also be fitted with a flow divider ST 1. Refer to Data Sheet ▶ T 8081.

The plug is moved by changing the control signal applied to the actuator.

The valve and actuator have a force-locking connection for valve sizes up to DN 50 and a form-fit connection for valve sizes DN 65 and larger.

Electric actuators

The Types 5825, 5827 and 3374 Electric Actuators as well as the Type 3274 Electrohydraulic Actuator can be controlled either using a three-step signal or, in the version with positioner, with signals from 0/4 to 20 mA or 0/2 to 10 V. Various electrical accessories can be optionally installed.

Refer to the data sheets for more details on the electric actuators:

- ▶ **T 5824:** Type 5825 Electric Actuator
- ▶ **T 5827:** Type 5827 Electric Actuator
- ▶ **T 8331:** Type 3374 Electric Actuator
- ▶ **T 8340:** Type 3274 Electrohydraulic Actuator

Electric actuators with process controllers

The electric actuator with process controller consists of a linear actuator with an integrated digital controller. The TROVIS 5725-3 Actuator is suitable for domestic hot water heating. The TROVIS 5725-8 has two PID control modules and is ready-wired for heating and cooling applications.

Refer to the data sheets for more details on the electric actuators with process controller:

- ▶ **T 5724:** TROVIS 5725-3 Electric Actuator with Process Controller for domestic hot water heating
- ▶ **T 5724-8:** TROVIS 5725-8 Electric Actuator with Process Controller for heating and cooling applications

Installation of the control valve

Install the valve with the actuator in the upright position. Other mounting positions on request.

In safety interlock circuits, a strainer (e.g. Type 2 NI ▶ T 1015) must be installed upstream of the valve in the direction of flow.

Ordering text

Unbalanced control valve tested according to DIN EN 14597

- Type 3213/5825, Type 3213/5827-A,
- Type 3213/5725-3, Type 3213/5725-8

Version for steam: yes, no

Balanced control valve tested according to DIN EN 14597

- Type 3214/5825, Type 3214/5827-A,
- Type 3214/3374, Type 3214/3274,
- Type 3214/5725-3, Type 3213/5725-8

Version up to 220 °C: yes, no

- Valve size: DN ...
- Pressure rating PN ...
- K_{VS} coefficient: ...
- Max. permissible differential pressure Δp ...
- Max. temperature ...
- Body material ...

Further specifications on the electric actuator

- Control: three-step signal, positioner
- Supply voltage ...
- Electric additional equipment ...

Terms for control valve sizing

according to IEC 60534, Parts 2-1 and 2-2:

$$F_L = 0.95 \quad x_T = 0.75$$

Selection and sizing of the control valve

1. Calculate K_V coefficient according to IEC 60534.
2. Select valve size DN and K_{VS} coefficient from Table 3.
3. Check the permissible differential pressure from Table 3.
4. Check permissible temperature and select valve version from Table 1
5. Select suitable actuator from Table 3 and from the technical data of the actuators.
6. Select materials, pressure and temperature from Table 1 to Table 3 and from the pressure-temperature diagram Fig. 4.
7. Select additional accessories depending on the electric actuator. Refer to technical data of the actuators for more details.

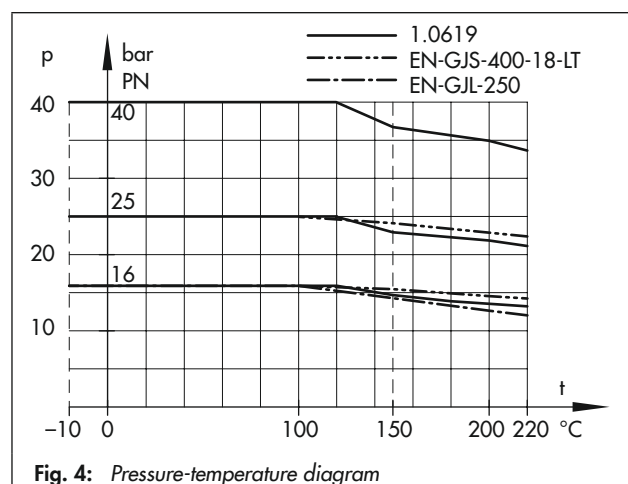
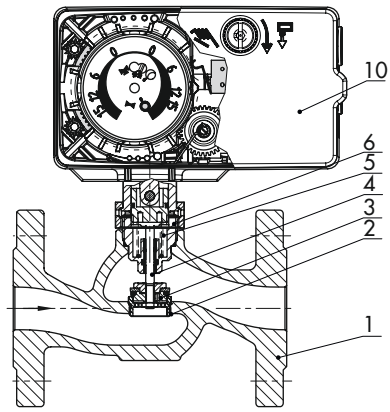
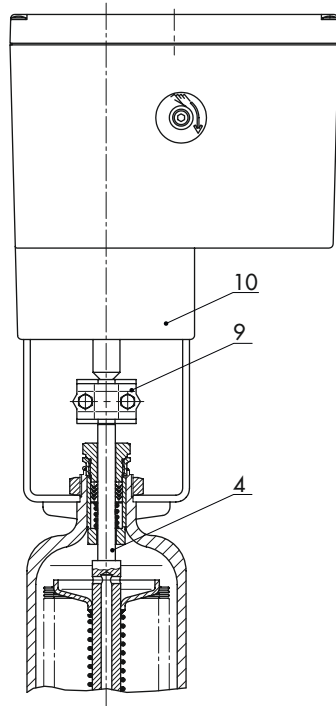


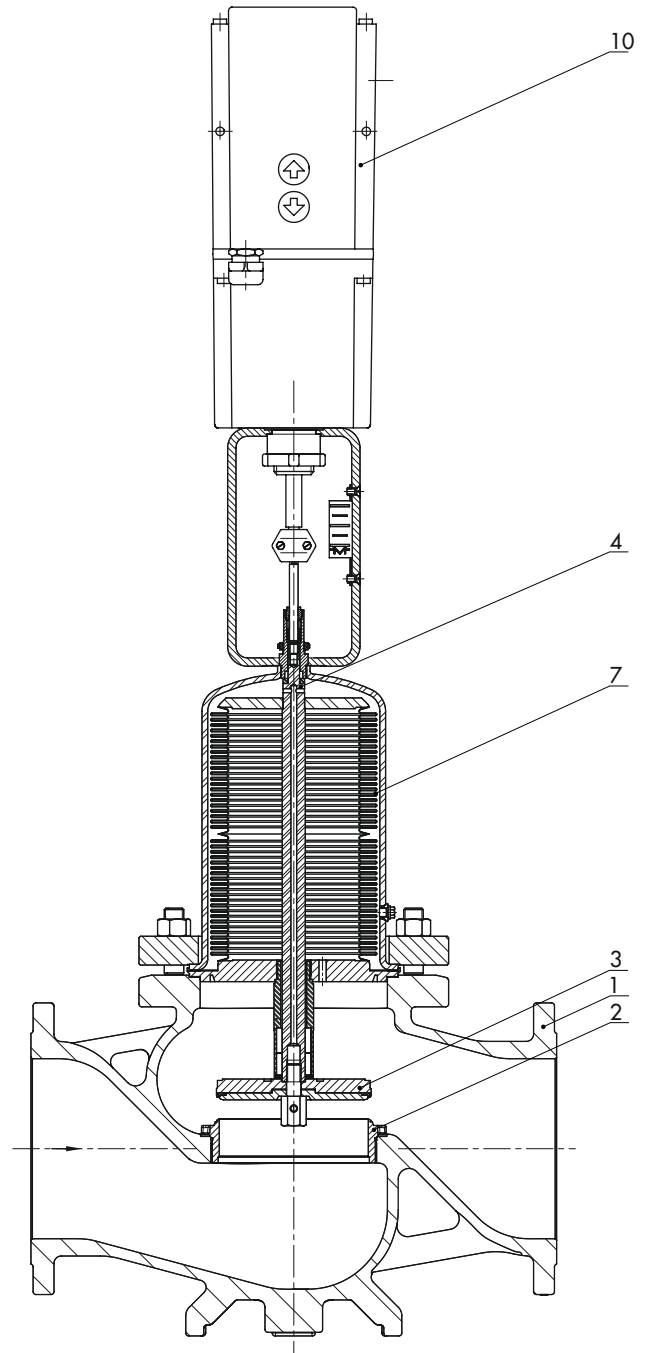
Fig. 4: Pressure-temperature diagram



Type 3213/5827



Type 3214/3374-21



Type 3214/3274

- 1 Valve body
- 2 Seat
- 3 Plug
- 4 Plug stem
- 5 Valve spring
- 6 Guide nipple
- 7 Balancing bellows
- 9 Stem connector
- 10 Actuator

Fig. 5: Functional diagrams

Table 1: Technical data

Type 3213 Globe Valve																
Valve size	DN	15	20	25	32	40	50	65	80	100	125	150	200	250		
Pressure rating	PN	25			16			-								
Max. permissible temperature (upright position)	°C	150 ¹⁾			150 ¹⁾											
Version for steam	°C	200			On request											
Rated travel	mm	6			12											
Rangeability		50:1														
Leakage class according to IEC 60534-4		Class I (≤ 0.05 % of K_{VS} coefficient)														
Conformity		CE · EAC														
Type 3214 Globe Valve																
Valve size	DN	15	20	25	32	40	50	65	80	100	125	150	200	250		
Pressure rating	PN	16 to 40														
Max. permissible temperature (upright position)	°C	150 ³⁾						220			150 ⁴⁾					
Version up to 220 °C	°C	220						-								
Rated travel	mm	6			12			15			30					
Rangeability		50:1						40:1			30:1					
Leakage class according to IEC 60534-4		Class I (≤ 0.05 % of K_{VS} coefficient)									Class IV (≤ 0.01 % of K_{VS} coefficient)					
Conformity		CE · EAC														

¹⁾ Use intermediate insulating piece (1990-1712)

– for medium temperatures between –10 and +5 °C (actuators listed in Table 4)

– in networks with constant medium temperatures >135 °C (TROVIS 5725-3, TROVIS 5725-8, Type 5825 and Type 5827 Actuators)

²⁾ Field of applications are the control of Group II fluids according to Pressure Equipment Directive 2014/68/EU. Footnote 1) on the permissible temperature range and the corresponding details applies.

³⁾ Use intermediate insulating piece (1990-1712)

– for medium temperatures between –10 and +5 °C (TROVIS 5725-3, TROVIS 5725-8, Type 5825 and Type 5827 Actuators)

– in networks with constant medium temperatures >135 °C (TROVIS 5725-3, TROVIS 5725-8, Type 5825 and Type 5827 Actuators)

⁴⁾ Special version with plug with metal seal or PTFE soft seal: 220 °C

Table 2: Materials · Material numbers according to DIN EN

Type 3213 Globe Valve			
Pressure rating	PN 16	PN 25	PN 40
Valve body	EN-GJL-250 (GG-25)	EN-GJS-400-18-LT (GGG-40.3)	–
Seat	1.4305	1.4305	–
Plug	1.4305 with metal seal	Brass with EPDM soft seal or FKM seal	–
Special version	–	$K_{VS} = 0.1$ to 2.5: 1.4305 with metal sealing	–
Plug stem	1.4305		–
Spring	1.4310		–
Guide nipple	Brass with EPDM seal or FKM seal		–
Insulating section with version for steam	1.4571		–
Type 3214 Globe Valve			
Pressure rating	PN 16	PN 25	PN 40
Valve body	EN-GJL-250 (GG-25)	EN-GJS-400-18-LT (GGG40.3) or 1.0619 (GS-C 25)	1.0619 (GS-C 25)
Special version	EN-GJS-400-18-LT or 1.0619	–	–
Seat and plug			
DN 15 to 100	CrNi steel · Special version with EPDM soft seal		
DN 125 to 250	CrNiMo steel with EPDM soft seal · Special version with metal seal		
Plug stem	1.4301		
Spring	–		
Bellows housing	1.0425		
Balancing bellows	1.4571		
Guide nipple (DN 15 to 50)	Brass with EPDM seal		
Packing (DN 65 to 250)	PTFE-carbon V-ring packing		
Insulating section for version up to 220 °C	1.4305 with EPDM seal		

Table 3: Valve sizes, K_{VS} coefficients and maximum differential pressures

Type 3213 Globe Valve														
Valve size	DN	15	20	25	32	40	50	65	80	100	125	150	200	250
Rated travel	mm	6	6	6	12	12	12							
K_{VS} coefficient		4	6.3	8	16	20	32							
Max. differential pressure	bar	10	10	10	2.9	2.9	1.6							
Special version														
K_{VS} coefficient		0.1 · 0.16 · 0.25 · 0.4 · 0.63 · 1.0 · 1.6	2.5	2.5	–	–	–	40	–					
Max. differential pressure	bar	20	10	10	–	–	–	1						
Type 3214 Globe Valve														
Valve size	DN	15	20	25	32	40	50	65	80	100	125	150	200	250
Rated travel	mm	6	6	6	12	12	12	15	15	15	30	30	30	30
K_{VS} coefficient		4	6.3	8	16	20	32	50	80	125	200	320	500	600
With flow divider		–	–	–	–	–	–	38	60	95	150	210	315	375
Reduced K_{VS} coefficient		2.5	2.5	2.5	8	8 · 16	8 · 16	–	–	–	–	–	–	–
Max. differential pressure	bar	25	25	25	25	25	25	20	20	16	16	12	10	10

Table 4: Possible combinations

Type 3213 Globe Valve/actuator															
Type/TROVIS	Refer to data sheet for details	Valve size DN													
		15	20	25	32	40	50	65	80	100	125	150	200	250	
Electric actuators															
5825-10 ²⁾	▶ T 5824	•	•	•											
5825-13 ^{1) 2)}		•	•	•											
5827-A1		▶ T 5827	•	•	•										
5825-20 ²⁾	▶ T 5824	-			•	•	•								
5825-23 ^{1) 2)}		-			•	•	•								
5827-A2	▶ T 5827	-			•	•	•								
Electric actuators with process controllers for domestic hot water heating															
5725-310	▶ T 5724	•	•	•											
5725-313 ¹⁾		•	•	•											
5725-320		-			•	•	•								
5725-323 ¹⁾		-			•	•	•								
Electric actuators with process controller for heating and cooling applications															
5725-810	▶ T 5724-8	•	•	•											
5725-820		-			•	•	•								
Type 3214 Globe Valve/actuator															
Type/TROVIS	Refer to data sheet for details	Valve size DN													
		15	20	25	32	40	50	65	80	100	125	150	200	250	
Electric actuators															
5825-10 ²⁾	▶ T 5824	•	•	•											
5825-13 ^{1) 2)}		•	•	•											
5827-A1		▶ T 5827	•	•	•										
5825-20 ²⁾	▶ T 5824	-			•	•	•								
5825-23 ^{1) 2)}		-			•	•	•								
5827-A2	▶ T 5827	-			•	•	•								
3374-21	▶ T 8331	-						•	•	•					
3274-23	▶ T 8340	-										•	•	•	•
Electric actuators with process controllers for domestic hot water heating															
5725-310	▶ T 5724	•	•	•											
5725-313 ¹⁾		•	•	•											
5725-320		-			•	•	•								
5725-323 ¹⁾		-			•	•	•								
Electric actuators with process controller for heating and cooling applications															
5725-810	▶ T 5724-8	•	•	•											
5725-820		-			•	•	•								

¹⁾ Version with half transit time

²⁾ The product will be discontinued in the near future. See Data Sheet ▶ T 5827 for replacement device.

Table 5: Dimensions and weights with actuator

Table 5.1: Control valves with Type 3213 Globe Valve

Valve size	DN		15	20	25	32	40	50
Overall length	Length L	mm	130	150	160	180	200	230
Height	Height H1	mm	60	60	60	125	125	125
	Height H	mm	190 ¹⁾	190 ¹⁾	190 ¹⁾	255 ¹⁾	255 ¹⁾	255 ¹⁾
Weight (version for steam + 0.3 kg)								
Types 3213/5825, 3213/5827		kg	3.1	3.7	4.1	12.5	14.5	16.5
Types 3213/5725-3, 3213/5725-8		kg	3.15	3.75	4.15	12.55	14.55	16.55

¹⁾ The dimension H increases by 3 mm when a Type 5827 Actuator is used.

Electric control valves with Type 3213 Globe Valve

*** Dimensions for Type 5825-x3, TROVIS 5725-3x3 Actuators: 146 x 136**

Type 3213/5825: DN 15 to 50
 Type 3213/5725-3: DN 15 to 50
 Type 3213/5725-8: DN 15 to 50

Version for steam

Type 3213/5825: DN 15 to 50
 Type 3213/5725-3: DN 15 to 50
 Type 3213/5725-8: DN 15 to 50

*** Dimensions for actuators with double stroking speed: 154x140**

Type 3213/5827: DN 15 to 50

Version for steam

Type 3213/5827: DN 15 to 50

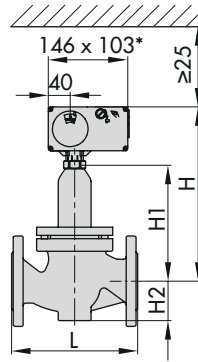
Table 5.2: Control valves with Type 3214 Globe Valve

Valve size	DN	15	20	25	32	40	50	65	80	100	125	150	200	250	
Overall length	Length L	mm	130	150	160	180	200	230	290	310	350	400	480	600	730
Height	Height H1	mm	225	225	225	225	225	225	305	305	355	580	710	860	860
	Height H	mm	350 ¹⁾	350 ¹⁾	350 ¹⁾	350 ¹⁾	350 ¹⁾	350 ¹⁾	599	599	649	900	1030	1180	1180
	Height H2	mm	55	55	55	72	72	72	100	100	120	145	175	270	270
	Height H3	mm	-									1050	1180	1330	1330
Weight (version up to 220 °C 0.3 kg - Version for PN 25 and PN 40 15 %)															
Types 3214/5825, 3214/5827		Approx. kg	7	7.5	8.5	15	15.5	18	-						
Types 3214/5725-3, 3214/5725-8		Approx. kg	7.05	7.55	8.55	15.05	15.55	18.05	-						
Type 3214/3374		Approx. kg	-					35	40	47	-				
Type 3214/3274		Approx. kg	-					-			87	128	271	315	

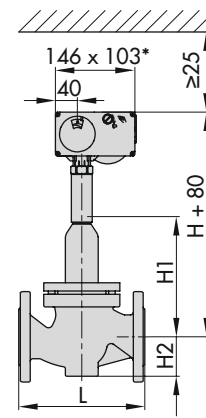
¹⁾ The dimension H increases by 3 mm when a Type 5827 Actuator is used.

**Electric control valves with Type 3214
Globe Valve**

* Dimensions for
Type 5825-x3, TROVIS 5725-3x3
Actuators:
146x136

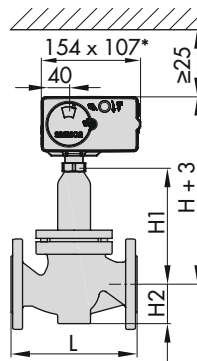


Type 3214/5825: DN 15 to 50
Type 3214/5725-3: DN 15 to 50
Type 3214/5725-8: DN 15 to 50

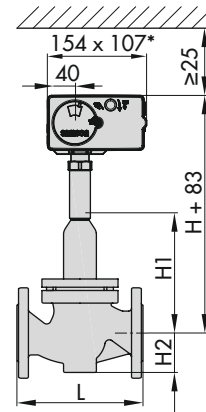


Version up to 220 °C
Type 3214/5825: DN 15 to 50
Type 3214/5725-3: DN 15 to 50
Type 3214/5725-8: DN 15 to 50

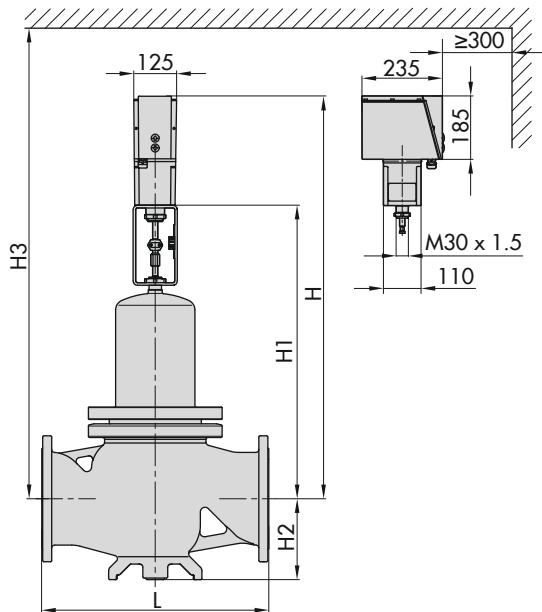
* Dimensions for actuators with
double stroking speed: 154x140



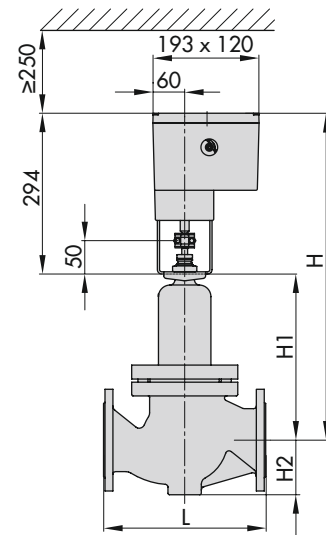
Type 3214/5827: DN 15 to 50



Version up to 220 °C
Type 3214/5827: DN 15 to 50



Type 3214/3274: DN 125 to 250



Type 3214/3374-21: DN 65 to 100

**Associated Mounting and
Operating Instructions**

► EB 5868/5869